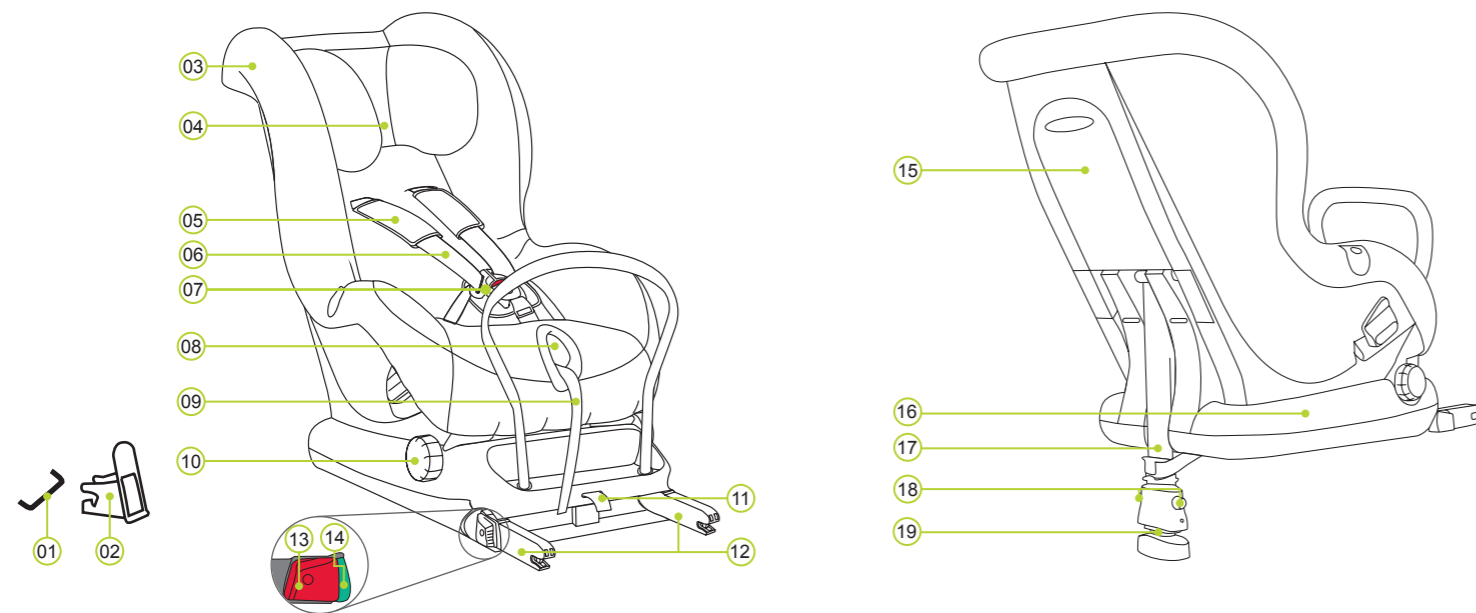


## PRODUCT OVERVIEW



- |                                   |                     |                        |                          |
|-----------------------------------|---------------------|------------------------|--------------------------|
| 01 ISOFIX attachment points (car) | 06 Shoulder straps  | 11 Fabric loop         | 16 MAX-FIX II base       |
| 02 ISOFIX insert guides           | 07 Harness buckle   | 12 Locking arms        | 17 Support leg           |
| 03 Cover                          | 08 Adjusting button | 13 Release button      | 18 Adjustment buttons    |
| 04 Headrest                       | 09 Adjustment strap | 14 ISOFIX indicators   | 19 Support leg indicator |
| 05 Shoulder pads                  | 10 Recline wheel    | 15 Storage compartment |                          |

BRITAX RÖMER child safety seat	Tested and certified according to ECE* R 44/04		<ul style="list-style-type: none"> <li>The child safety seat has been designed, tested and certified according to the requirements of the European Standard for Child Safety Equipment (ECE R 44/04). The test mark E (in a circle) and the certification number are located on the orange certification sticker (sticker on the child safety seat).</li> <li>This certification will be invalidated if you make any modifications to the child safety seat.</li> <li>The MAX-FIX II child safety seat must only be used to secure your child in the vehicle. It must never be used as a seat or toy in the home.</li> <li>Risk of injury due to unauthorised modifications! Unauthorised technical modifications may reduce or entirely void the seat's protective properties.</li> <li>- Do NOT make any technical modifications to the baby seat.</li> <li>- Use the baby seat only as described in the user instructions.</li> </ul>
	Group	Body weight	
MAX-FIX II	0+ & 1	0 to 18 kg	

\*ECE = European Standard for Child Safety Equipment

## CARE AND MAINTENANCE

### Care for the harness buckle

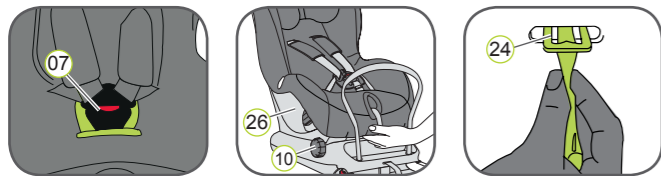
It is vital for the safety of your child that the harness buckle works correctly. Malfunctions of the harness buckle are usually caused by accumulations of dirt or foreign bodies. Malfunctions are as follows:

- The buckle latches are ejected only slowly when the red release button is pressed.
- The buckle latches will no longer lock home (i.e. they are ejected again if you try to push them in).
- The buckle latches engage without an audible „click“.
- The buckle latches are difficult to insert (you feel resistance).
- The buckle only opens if extreme force is applied.

### Remedy

wash out the harness buckle so that it functions properly once again:

### Cleaning the harness buckle



- Open the harness buckle 07 (press the red button).
- Turn the recline wheel 10 and move the seat shell 26 upwards into the most reclined position.
- Grasp under the seat shell 26 and slide the metal plate 24 which is used to fasten the harness buckle 07 to the seat shell up on its edge through the strap slot 25.
- Soak the harness buckle 07 in warm water with dishwashing liquid for at least an hour. Then rinse and dry it thoroughly.

### Cleaning the cover

Please be sure to use only genuine Britax/RÖMER replacement seat covers, as the seat cover is an integral part of the child safety seat which plays an important role in ensuring that the system works properly. Replacement seat covers are available from your retailer.

- The child seat must not be used without its cover.
- The cover can be removed and washed with a mild detergent using the

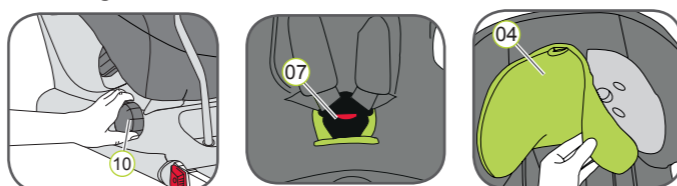
washing machine's cycle for delicate items (30 °C). Please observe the instructions on the washing label of the cover.

- The plastic parts can be cleaned using soapy water. Do not use harsh cleaning agents (such as solvents).
- The harnesses can be washed in lukewarm soapy water.
- The shoulder pads can be washed in lukewarm soapy water.

**Caution:** Never remove the buckle latches 21 from the straps.

**Caution:** The child seat must not be used without the seat cover.

### Removing the cover



- Turn the recline wheel 10 and move the seat shell 26 downwards into the upright position.
- Loosen the harness straps as far as possible.
- Open the harness buckle 07 (press the red button).
- Slide the headrest 04 to its lowest position.
- Remove the cover of the headrest 04.
- Open the poppers on the left and right of the rear part of the cover.
- Fold the rear part of the cover onto the seat surface.
- Thread the harness straps through the cutout in the cover.
- Unhook the elastic seam of the cover under the edge of the seat shell. TIP: Start at the handles on the side and at the upper edge of the seat shell.
- Pull the cover up and over the bezel of the strap adjuster.
- Feed out the harness buckle 07 and the end of the strap from the cover.
- Pull the cover upwards a little and then put it with the cutout over the headrest 04.

### Re-fitting the Cover:

Simply follow the steps in the opposite order.

**Caution:** Check that the harness straps are not twisted and that they have been correctly inserted in the belt slots on the cover.

## CARE INSTRUCTIONS

**Warning:** To ensure the full protective effect of the child safety seat:

- In the event of an accident with an impact speed above 10 km/h it is possible that the child safety seat may have been damaged, but that the damage may not be immediately obvious. In this case the child safety seat must be replaced. Please dispose of it properly.
- Regularly check all important parts for damage. Make sure that the mechanical components in particular are all in perfect working order.
- To prevent damage, ensure that the child safety seat does not become jammed between hard objects (car door, seat runners etc.).
- Always have the child safety seat checked if it has been damaged (e.g. if it is dropped).
- Never lubricate or oil parts of the child seat.
- In order to properly protect your child, it is imperative that you install and use the MAX-FIX II exactly as described in this manual.

Please observe the waste disposal regulations in your country.

Disposal of packaging	Container for cardboard
Cover	Residual waste, thermal utilisation
Plastic parts	In accordance with the labelling in the designated container
Metal parts	Container for metals
Harness straps	Container for polyester
Buckle & latch	Residual waste

## USE IN THE VEHICLE

Please observe the instructions on the use of child restraint systems described in your vehicle owner's manual.

The seat may be used in all vehicles equipped with the ISOFIX anchoring systems. Please consult your vehicle owner's manual for information the seats which are approved for child safety seats in the weight class 0-18 kg.

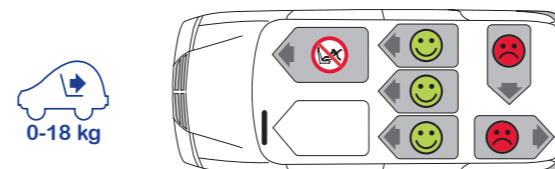
The fastening with ISOFIX and support leg is based on semiuniversal approval. The seat may be used only in those vehicles cited in the enclosed vehicle type list. This type list is constantly updated. The latest version can be obtained from us or from [www.britax.eu](http://www.britax.eu) / [www.roemer.eu](http://www.roemer.eu).

You can use your child car seat as follows:

In the direction of travel	No
On seats featuring: ISOFIX attachments (between seat surface and backrest)	Yes <sup>1)</sup>

(Please observe the applicable regulations in your country)

- If there is a front airbag: Slide the passenger seat a long way back and refer to any instructions in vehicle owner's manual.



### NEXT CHILD SAFETY SEATS

BRITAX RÖMER Child safety seats		Testing and certification in accordance with ECE R 44/04	
Rearward facing	Forward facing	Group	Body weight
MAX-WAY		1-2	9-25 kg
MULTI-TECH 2		1-2	9-25 kg
	KIDFIX /KIDFIX SICT	2-3	15-36 kg
	KID / KID plus	2-3	15-36 kg

## TWO-YEAR WARRANTY

For this child safety seat we offer a 2-year warranty against manufacturing or material defects. The warranty period is effective from the day of purchase. The warranty covers only child safety seats which have been handled properly and which have been sent to us in a clean and proper condition.

### The Warranty does not cover:

- natural signs of wear and damage resulting from excessive stress
- damage resulting from inappropriate or improper use

### What is covered by the warranty?

**Fabrics:** All of our fabrics meet very high requirements with regard to colour fastness when exposed to UV radiation. Nevertheless, all fabrics fade when exposed to UV radiation. This is not a material defect, but rather a normal sign of wear which is not covered by the warranty.

**Buckle:** Buckle malfunctions are often due to accumulations of dirt or foreign bodies which may stop the buckle from working properly. If this happens, the buckle can be cleaned, please follow the procedure described in your user instructions.

Please contact your retailer immediately in the event of a warranty claim. He or she will give you the advice and support you need. When processing claims, product-specific depreciation rates will be applied. Please refer to our General Terms and Conditions which are available from your retailer.

### Use, care and maintenance

The child safety seat must be used in accordance with the user instructions. We point out expressly that only genuine accessories and replacement parts must be used.

### BRITAX EXCELSIOR LIMITED

1 Churchill Way West  
Andover  
Hampshire SP10 3UW  
United Kingdom  
t: +44 (0) 1264 333343  
f: +44 (0) 1264 334146  
e: [help@uk.britaxeurope.com](mailto:help@uk.britaxeurope.com)  
[www.britax.eu](http://www.britax.eu)

### BRITAX RÖMER

Kindersicherheit GmbH  
Blaubeurer Straße 71  
D-89077 Ulm  
Germany  
t: +49 (0) 731 9345-199/-299  
f: +49 (0) 731 9345-210  
e: [info@de.britaxeurope.com](mailto:info@de.britaxeurope.com)  
[www.roemer.eu](http://www.roemer.eu)

**0 kg - 18 kg**  
**0 Y ~ 4 Y**

**britax**

## MAX-FIX II

User instructions

GB



[www.britax.eu](http://www.britax.eu)

EDV-NR.: 2000011384 09/14

**⚠ Take the time to carefully read through these instructions, and always keep them ready to hand in the designated pocket on the child seat.**

**⚠ For the protection of all vehicle occupants**

In the case of an emergency stop or an accident, persons or objects which are not properly secured in the car can cause injury to other vehicle occupants. For this reason, please always check that...

- the backrests of the vehicle seats are locked (e.g. that the latch on a folding rear seat bench is engaged).
- all heavy or sharp-edged objects in the vehicle (e.g. on the parcel shelf) are secured.
- all persons in the vehicle have their seatbelts fastened.
- the child safety seat is always secured in the car via the ISOFIX anchoring, even when there is no child in the seat.

**⚠ For the protection of your child**

- The more snugly the harness fits over your child's body, the safer your child will be.
- Please do not ever leave your child unattended in the child safety seat in the vehicle.

- Use on the rear seat:  
Move the front seat forward far enough that you child's feet cannot hit the backrest of the front seat (to prevent risk of injury).
- The child safety seat can get hot in direct sunshine. Caution: Children's skin is delicate and could be injured as a result. Protect the child seat against intensive direct sunlight when it is not currently in use.
- Only allow your child to enter and exit the vehicle on the pavement side.
- Make stops during longer journeys to give your child an opportunity to run about and play.

**To protect your vehicle**

Some vehicle seat coverings made of more delicate materials (e.g. velour, leather, etc.) may develop wear marks when child seats are used. For optimum protection of your seat covers, we recommend using the BRITAX RÖMER Car Seat Protector, which is available from our range of accessories.

## INSTALLATION

### Preparatory work

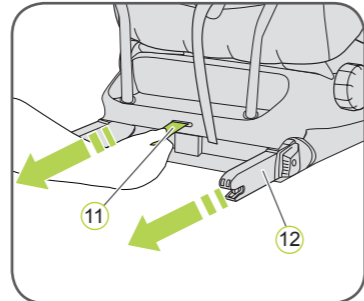


1. If your vehicle is not equipped with the ISOFIX insert guides as standard, clip the two insert guides (02) which are included with the seat\* with the cut-out facing upwards onto the two ISOFIX attachment points (01) of your vehicle.

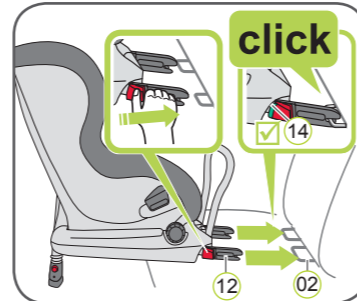
TIP: The ISOFIX attachment points are located between the surface and the backrest of the vehicle seat.

2. Move the head restraint on the vehicle seat to the upper position.

\* The insert guides make it easier to install the child safety seat with the aid of the ISOFIX attachment points and prevent damage to the seat covering. When not in use, they should be removed and stored in a safe place. On vehicles with a folding backrest the insert guides must be removed before the backrest is folded. Any problems which occur are usually caused by dirt or foreign objects on the insert guides and on the hooks. Clean off any dirt or foreign objects to remedy this type of problem.

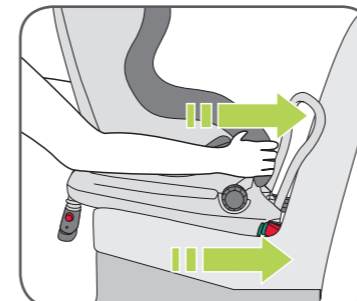


1. Pull the grey fabric loop (11) to pull out both locking arms (12).
2. Place the child seat in the direction of travel rearward-facing on the vehicle seat.

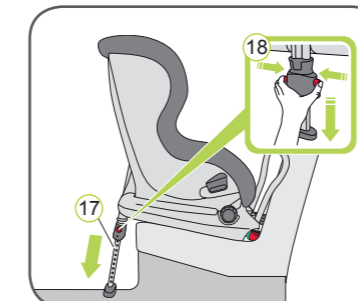


3. Grasp the child seat with both hands and slide the two locking arms (12) firmly into the insert guides (02) until the locking arms engage with a clicking noise on both sides. The green ISOFIX indicators (14) must now be visible on both sides.

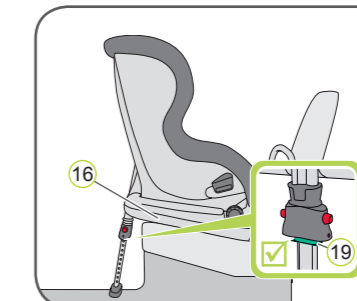
**⚠ CAUTION!** The locking arms are only correctly engaged if both of the ISOFIX indicators (14) are completely green.



4. Push the child seat with a substantial amount of force as far back as it will go.

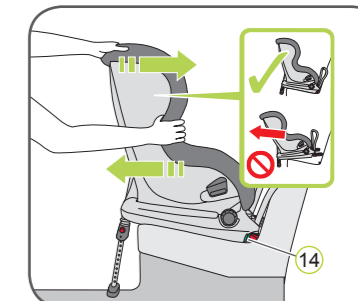


5. Pull the support leg (17) as far away from the back of the child seat as possible.



6. Push both adjustment buttons (18) and pull out the support leg (17) until it rests firmly on the floor of the vehicle. The support leg indicator (19) must be completely green.

**⚠ CAUTION!** The support leg (17) must never be suspended in mid-air or supported by other objects. Also ensure that the support leg (17) does not raise the MAX-FIX II base (16) from the car seat surface.

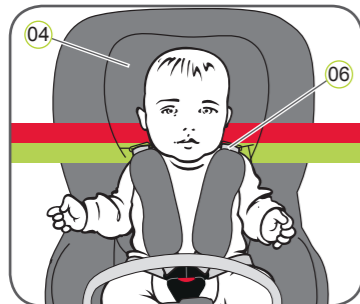


7. Shake the child safety seat to make sure it is safely attached and re-check to the ISOFIX indicators (14) to make sure that both of them are completely green.

→ Your car seat is now fully installed

8. Follow the steps in the section „SECURING YOUR CHILD“.

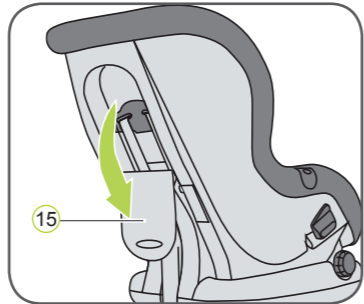
## SECURING YOUR CHILD



A correctly adjusted headrest (04) ensures optimal protection for your child in the safety seat:

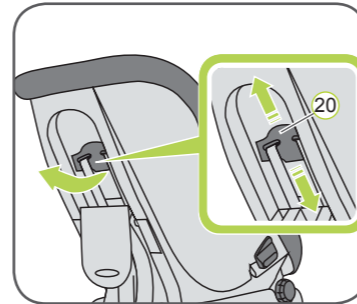
The headrest (04) must be adjusted so that the shoulder straps (06) are at the same level as your child's shoulders or slightly below.

- ▶ The shoulder straps (06) must be adjusted so that they are level or just below your child's shoulders.
- ▶ The shoulder straps (06) must not run behind the back of the child or at ear height or above the ears.

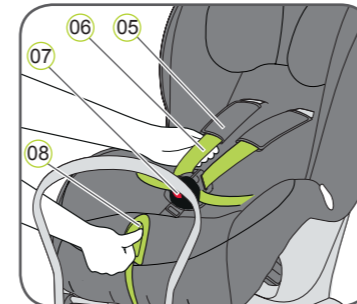


9. Open the storage compartment (15) at the rear of the seat shell.

10. Pull up the belt height adjuster (20) and adjust the headrest by sliding the back plate higher or lower.



11. Move the headrest (04) to the correct shoulder strap height and check that it is properly engaged by lightly sliding the head rest (04) downwards.



12. Open the harness buckle (07) (press red button)

13. Press the adjusting button (08) and at the same time pull both shoulder straps (06) forwards. Do not pull on the shoulder pads (05).

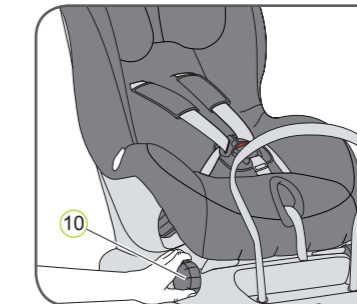
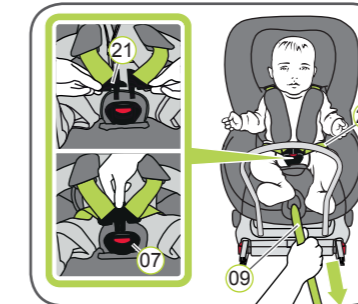
14. Have your child sit down in the child seat.

15. Guide the two buckle latches (21) together and engage them before putting them into the harness buckle (07) - this should make a clicking noise.

16. Pull on the adjustment strap (09) until the harness lies flat and is close against your child's body.

**⚠ CAUTION!** Pull out the adjusting strap to the front.

**⚠ CAUTION!** The hip straps (22) must be positioned as low as possible over your child's hips.



The MAX-FIX II can be put into multiple different positions. You can change the recline position while the child is installed in the car seat.

The most recline position gives your child the most comfort for sleeping. For younger children from 0-6 months use the seat in its most recline position with the infant insert to ensure your child spine is supported whilst sleeping. To change the positions turn the recline wheel (10).

## RECLINE POSITIONS



The infant insert can be used for children between 0 - 6 months. The infant insert ensures your baby's spine is supported during travel. Installation of the infant insert:

1. Open the two plastic fasteners on the infant insert
2. Place the infant insert into the child seat and lay both shoulder straps (06) over the infant insert
3. Close both plastic fasteners
4. Slide the harness buckle (07) and the crotch pad through the opening of the infant insert.

**⚠ CAUTION!** Make sure that your child is always securely fastened.

**⚠ For the safety of your child, before every journey in the car check that...**

- the child seat is engaged on both sides with the ISOFIX locking arms (12) in the ISOFIX attachment points (01) and that both ISOFIX indicators (14) are completely green;
- the child seat is securely fastened;
- the support leg is firmly on the vehicle floor and the support leg indicator (19) is green;
- the straps of the child seat are close to the body without constricting the child;
- the shoulder straps (06) are correctly adjusted and the straps are not twisted;
- the shoulder pads (05) are in the right position on your child's body;
- the buckle latches (21) are engaged in the harness buckle (07).

**⚠ CAUTION!** If your child attempts to open the ISOFIX release buttons (13) or the harness buckle (07), make sure to stop at the earliest opportunity. Check that the child safety seat is correctly attached and make sure that your child is properly secured. Teach your child about the dangers involved.

### Removing the child seat with ISOFIX

1. Push both adjustment buttons (18) and slide the lower section of the support leg (17) into the upper section until it is fully stored. Release the adjustment buttons (18) to fix it in its stored position
2. Push the green ISOFIX indicator (14) and the red release button (13) on the two locking arms (12) towards each other. The locking arms (12) release.
3. Slide the ISOFIX locking arms (12) back into the seat shell (26)

→ A rattling noise is produced when the locking arms are pushed back in.

TIP: The locking arms are protected against damage when they are pushed back into the seat base.

**⚠ CAUTION!** Remove the child safety seat from the vehicle. The child safety seat must never be transported in the car if it is not properly secured.