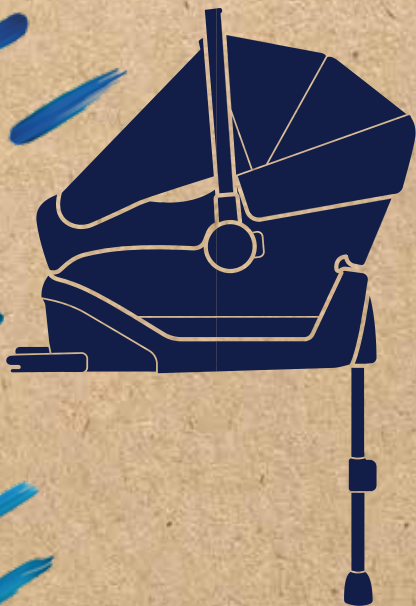


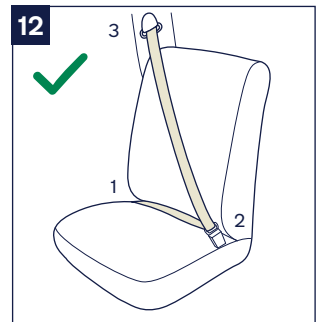
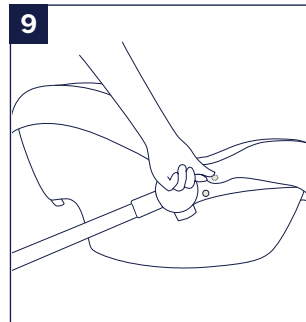
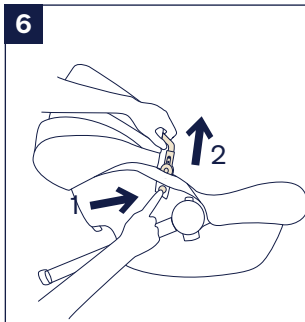
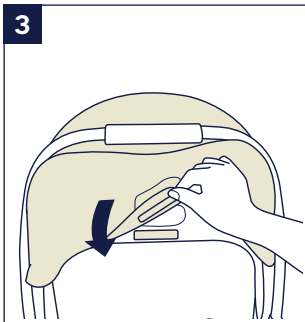
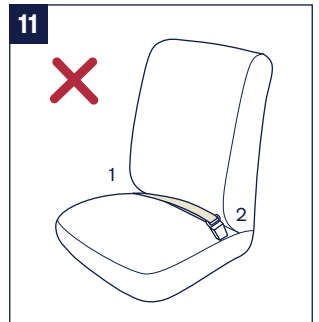
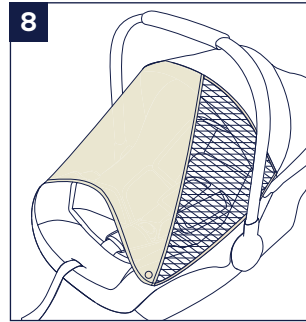
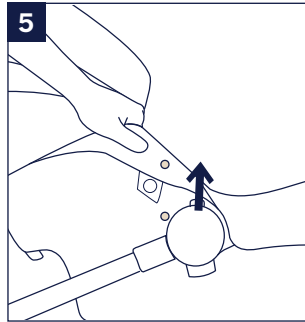
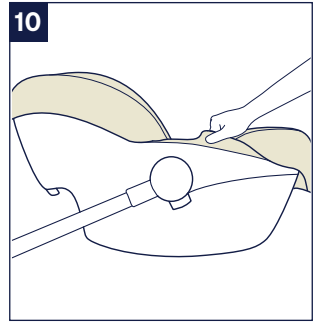
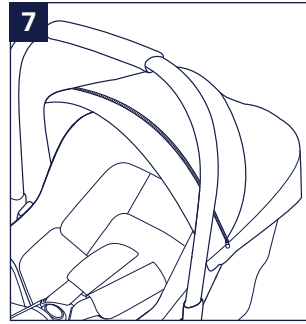
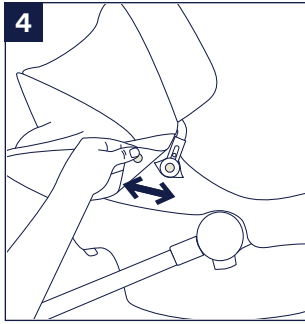
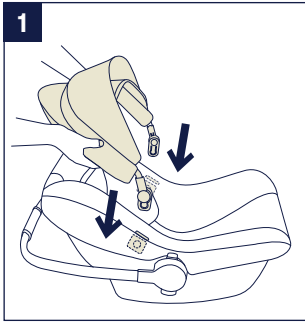
pipaTM lite lx

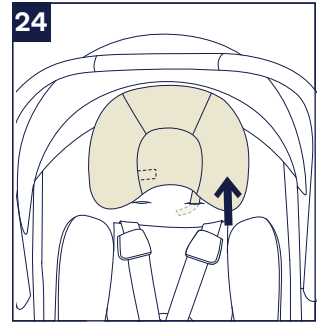
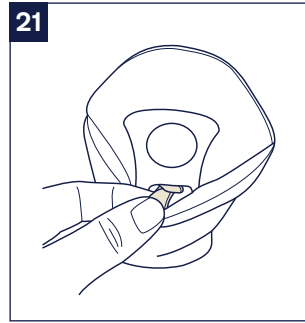
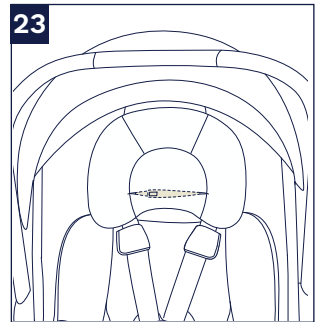
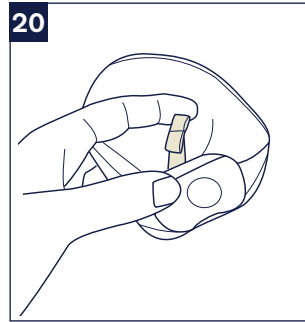
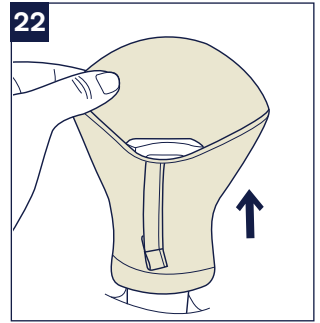
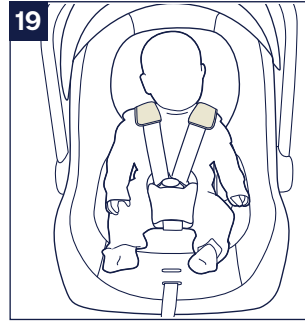
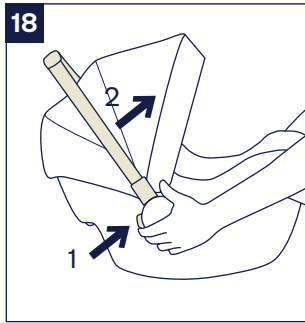
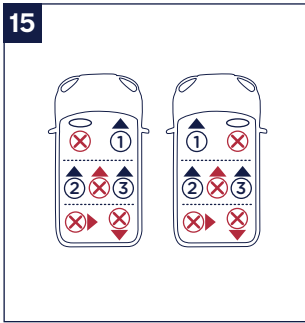
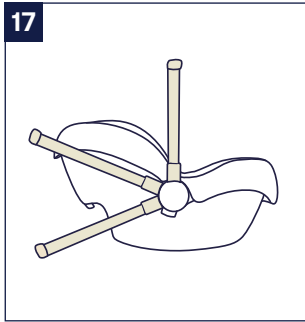
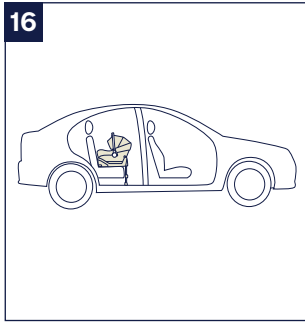
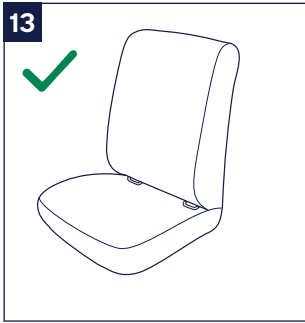


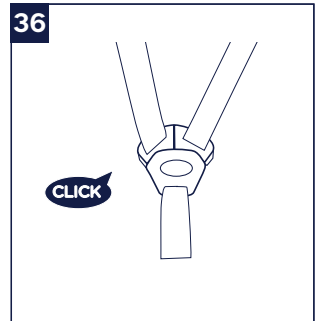
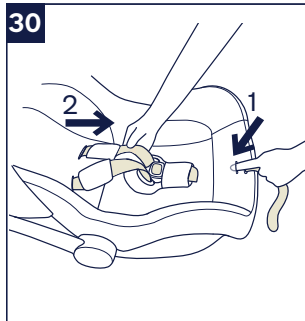
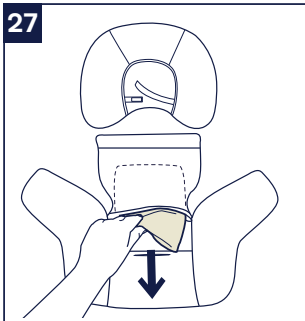
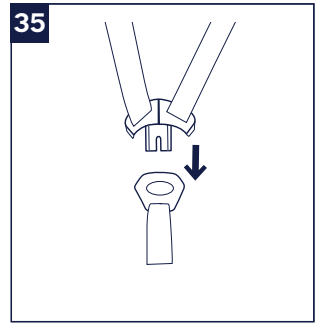
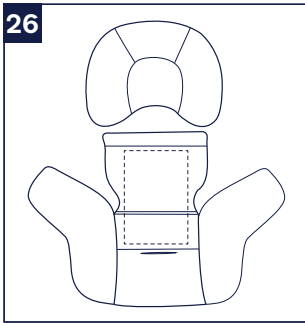
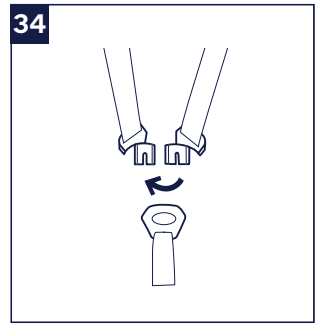
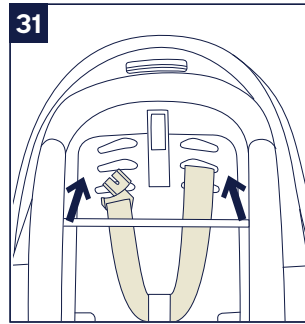
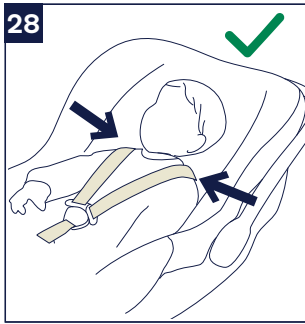
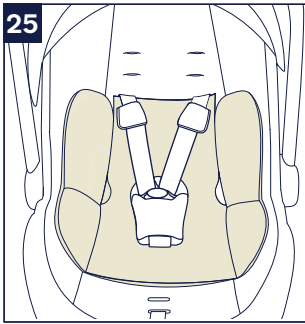
nuna[®]

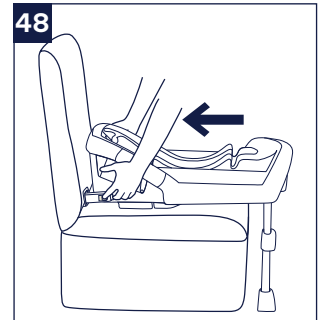
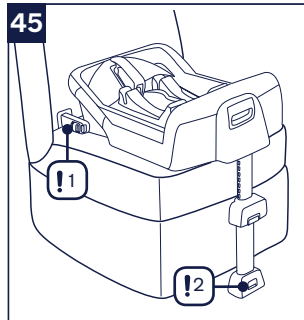
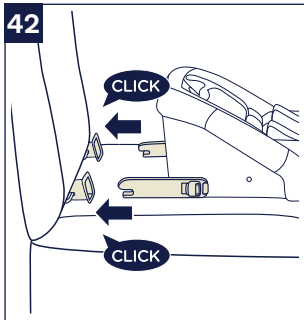
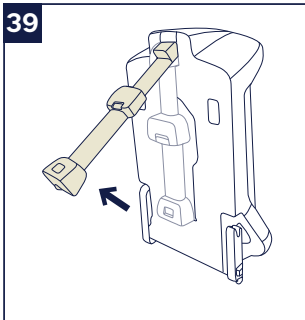
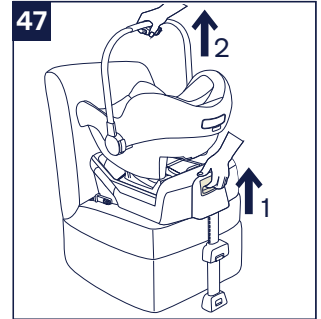
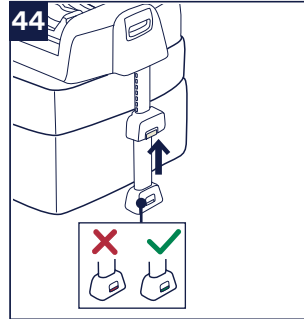
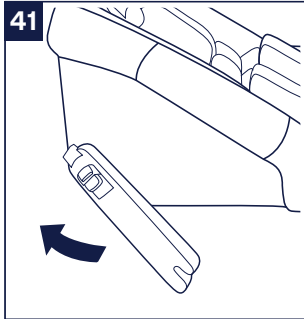
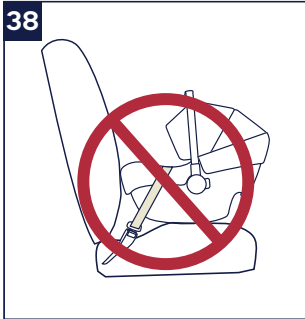
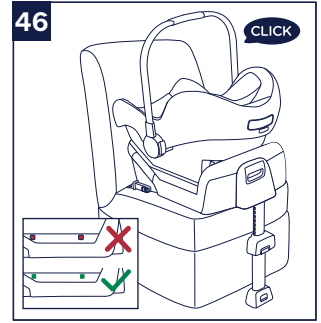
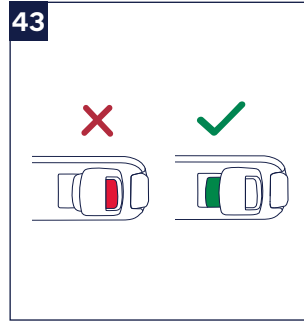
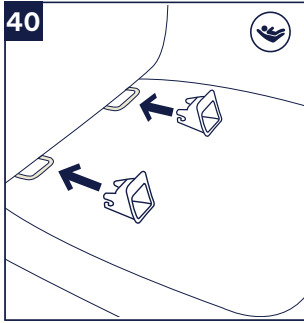
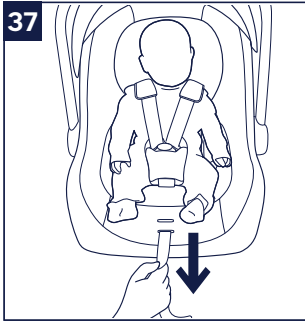
Designed
around your life

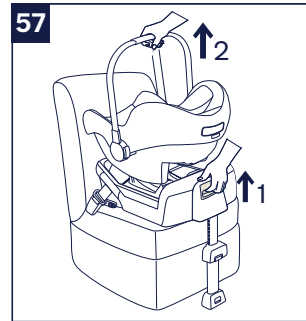
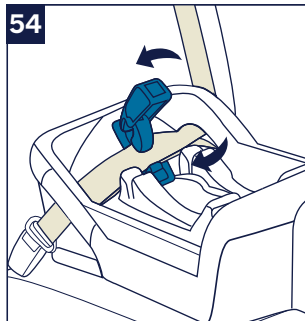
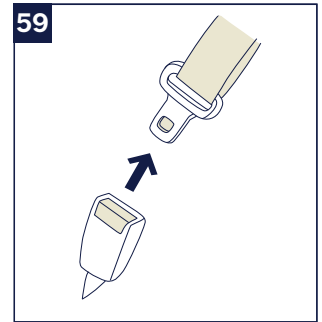
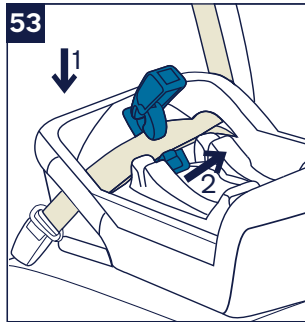
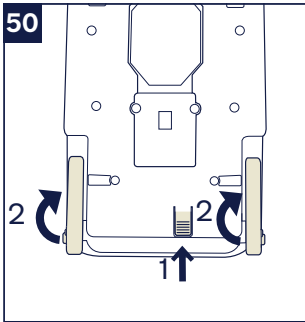
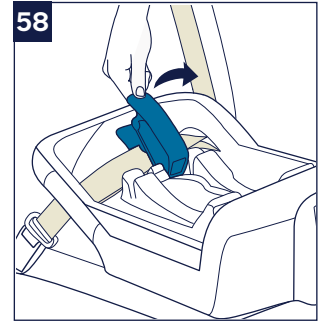
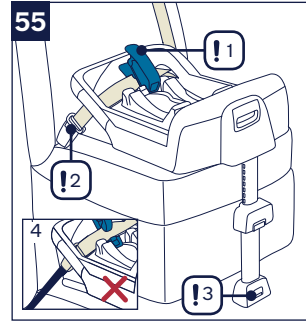
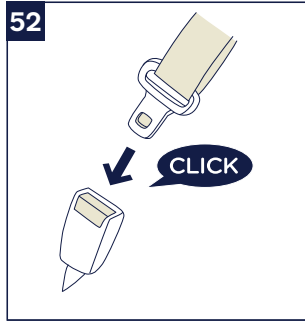
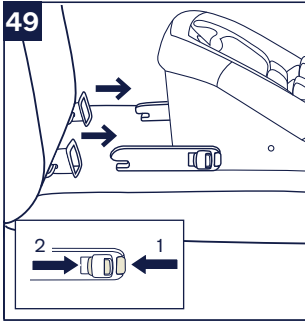
nuna[®]











**IMPORTANT!
KEEP THESE
INSTRUCTIONS FOR
FUTURE REFERENCE:
*READ CAREFULLY***

Contents

Product Information	
Product Registration	2
Warranty	2
Contact	3
Child Usage Requirements	3
For use with base	4
Warnings	5
Infant Car Seat Parts List	10
Base Parts List	12
Product Overview	14
Product Use	18
Installation	20
Cleaning and Maintenance	25
Dutch (NL)	26
French (FR)	52
German (DE)	78
Italian (IT)	104
Spanish (ES)	130

Product Information

Model Number: _____

Manufactured in (date): _____

Product Registration

All products include a serial label which lists the product model number and serial number. This label is located on the base. Before contacting customer service, please have these numbers available for reference.

To register your product please visit:

www.nuna.eu/register-gear

Warranty

We have purposely designed our high-quality products so that they can grow with both your child and your family. Because we stand by our product, our gear is covered by a custom warranty per product, starting from the day it was purchased. Please have the proof of purchase, model number and manufactured in date available when you contact us.

For warranty information please visit:

www.nuna.eu/warranty

Contact

For replacement parts, service, or additional warranty questions, please contact our customer service department.

info@nuna.eu

www.nuna.eu

In the United Kingdom:

infouk@nuna.eu

www.nuna.eu

Nuna International BV:

De Beeke 8

5469 DW Erp

The Netherlands

Child Usage Requirements

This product is suitable for use with children who meet the following requirements:

Mass Group: 0+

Weight: Child weighing under 13kg
(approximately 1.5 years old or under)

For use with base

The infant child restraint with Base is a “Semi-Universal Child Restraint” and should be fitted using at 3 point adult seat belt approved to UN ECE regulation 16 or the ISOFIX connections.

For Installation with 3-point-belt

It will fit vehicles fitted with 3-point retractor safety-belts. Seat positions in other cars may also be suitable to accept this child restraint. If in doubt, consult either the child restraint manufacturer or the distributor.

For Installation with ISOFIX System

This is an ISOFIX CHILD RESTRAINT SYSTEM. It is approved to Regulation NO. 44, 04 series of amendments for general use in vehicles fitted with ISOFIX anchorages systems.

It will fit vehicles with positions approved as ISOFIX positions (as detailed in the vehicle handbook), depending on the category of the child seat and of the fixture. If in doubt, consult either the child restraint manufacturer or vehicle manufacturer.

The ISOFIX size class for which this device is intended is C and D.

WARNING

Always secure child in child restraint, even on short trips, as this is when most accidents occur.

Any straps holding the restraint to the vehicle should be tight, that any straps restraining the child should be adjusted to the child’s body, and that straps should not be twisted.

After your child is placed in this infant child restraint, the safety belt must be used correctly, and ensure that any lap strap is worn low down, so that the pelvis is firmly engaged.

Be sure that the child restraint is installed in such a way that no part of it interferes with movable seats or in the operation of vehicle doors.

Before carrying the infant child restraint by hand, ensure that the child is fastened with the safety harness, and that the handle is correctly locked in a vertical position.

Consult the distributor for issues concerning maintenance, repair and part replacement.

Frequently check the ISOFIX guides for dirt and clean them if necessary. Reliability can be effected by ingress of dirt, dust, food particles etc.

NO infant child restraint can guarantee full protection from injury in an accident. However, proper use of this infant child restraint will reduce the risk of serious injury or death to your child.

Please keep this child restraint away from sunlight, otherwise it may be too hot for child's skin. Always touch test seat before placing child in it.

Remove this infant child restraint and base from the vehicle seat when it is not in regular use.

This infant child restraint is designed ONLY for child weighing under 13kg.

The soft goods should not be replaced with any besides the ones recommended by the manufacturer. The soft goods constitute an integral part of the infant child restraint performance.

To avoid the risk of falling out, always secure the child using the safety harness when the child is placed in infant child restraint, even when the child restraint is not in the vehicle.

To avoid serious injury or death, NEVER place infant child restraint on elevated surface seat with child in it.

The parts of this child restraint should not be lubricated in any way.

DO NOT put anything other than the recommended inner cushions in this infant child restraint.

DO NOT continue to use this child restraint after it has suffered any type of crash, even a minor one. Replace immediately as there may be invisible, structural damage from the crash.

DO NOT use or install this infant child restraint until you read and understand the instructions in this manual and in your vehicle owner's manual.

DO NOT make any alterations or additions to any part of the child restraint or base. Do not use accessories or parts supplied by other manufacturers. The function of the child restraint could be altered, resulting in serious injury or death.

DO NOT use this infant child restraint if it has damaged or missing parts.

DO NOT have your child in large/oversized clothes because this may prevent your child from being properly and securely fastened by the shoulder harness straps and the harnesses between thighs.

DO NOT make any modification to this infant child restraint or use it along with component parts from other manufacturers.

DO NOT leave this infant child restraint or other items unbelted or unsecured in your vehicle because unsecured infant child restraint can be thrown around and may injure occupants in a sharp turn, sudden stop, or collision.

DO NOT place rear-facing child restraint on front seat with air bag. Death or serious injury may occur. Please reference vehicle owner's manual for more information.

DO NOT use this infant child restraint without the soft goods.

DO NOT use any load bearing contact points other than those described in the instructions and marked on the child restraint.

DO NOT place any objects in the load leg area in front of your base.

NEVER leave your child unattended with this infant child restraint.

NEVER use a second-hand infant child restraint or an infant child restraint whose history you do not know because they may have structural damage that endangers your child's safety.

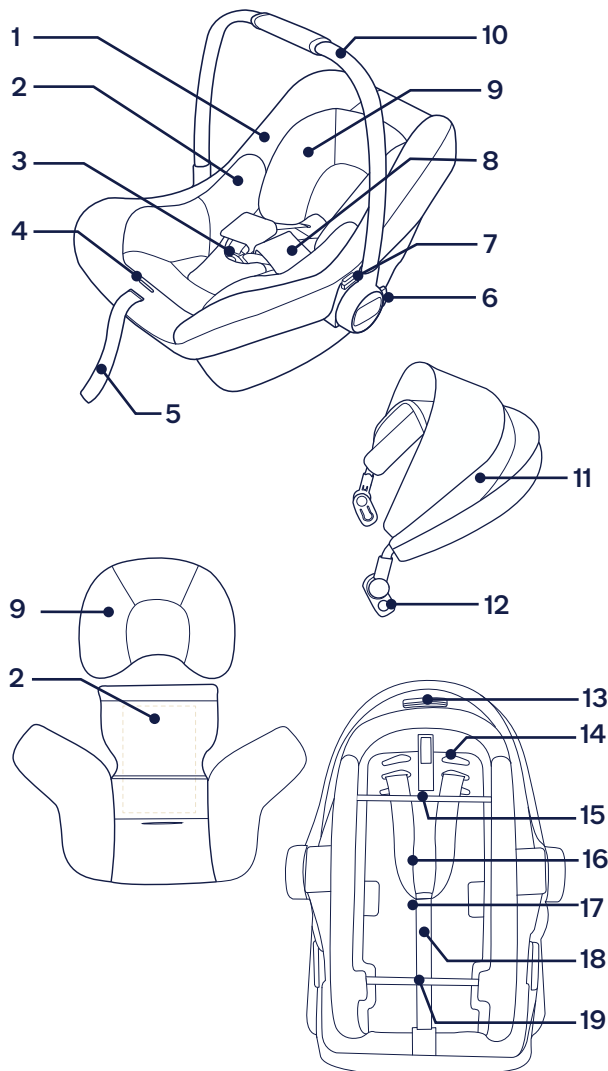
NEVER use ropes or any other substitutes to secure child restraint in vehicle or to secure child into child restraint. Only use vehicle belt to secure child restraint in vehicle.

Infant Car Seat Parts List

Make sure all parts are available before assembly. If any part is missing, please contact Nuna (see page 2 for information). No tools are required for assembly.

- | | | | |
|---|---------------------------|----|-------------------------|
| 1 | Seat Pad | 10 | Handle |
| 2 | Body Support (x2) | 11 | Canopy |
| 3 | Buckle and Crotch Pad | 12 | Canopy Release Button |
| 4 | Harness Adjustment Button | 13 | Stroller Release Button |
| 5 | Harness Adjustment Strap | 14 | Harness Slots |
| 6 | Handle Adjustment Button | 15 | Base Attachment Bar |
| 7 | Stroller Release Button* | 16 | Harness Straps |
| 8 | Shoulder Harness Pads | 17 | Shoulder Harness Loops |
| 9 | Head Support (x2) | 18 | Splitter Plate |
| | | 19 | Base Attachment Bar |

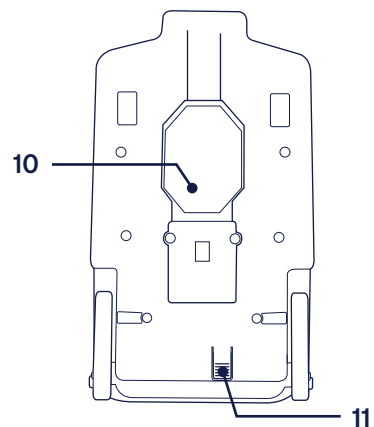
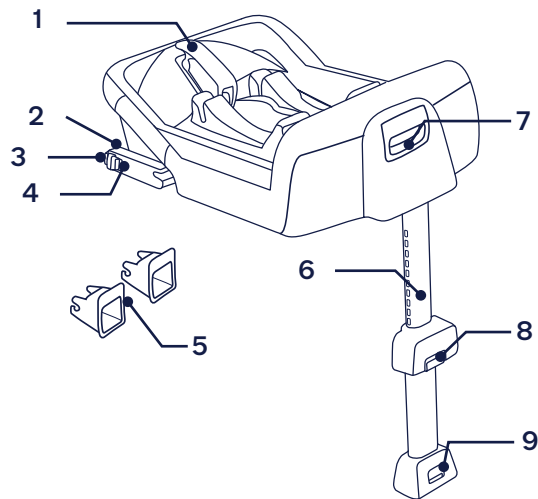
*only used with infant car seat adapters



Base Parts List

Make sure all parts are available before assembly. If any part is missing, please contact Nuna (see page 2 for information). No tools are required for assembly.

- | | | | |
|---|---|----|----------------------------|
| 1 | Vehicle Belt Lock Off | 6 | Load Leg |
| 2 | ISOFIX Connector (lower attachments) | 7 | Carrier Release Button |
| 3 | Secondary ISOFIX Connector Release Button | 8 | Load Leg Adjustment Button |
| 4 | Primary ISOFIX Connector Release Button | 9 | Load Leg Indicator |
| 5 | ISOFIX Connector Guides | 10 | Instruction Manual Storage |
| | | 11 | ISOFIX releasing button |



Product Overview

Canopy

- 1 - To assemble the canopy, push canopy mounts into fabric slot to attach to the seat. **(1)** A click sound means the canopy mounts is locked completely. **(2)**
- 2 - Stick the hook and loop fasteners on the rear of canopy and seat. **(3)**
- 3 - Snap the canopy to the canopy mount on both sides. **(4)**
- 4 - To open the canopy, pull the canopy toward the front of the seat, and to close the canopy, push it back.
- 5 - To remove the canopy, reverse step 1. Then unsnap the seat pad from the shell and lift fabric up. **(5)**
- 6 - Press the canopy release button **(6)-1** and pull canopy through the fabric slot. **(6)-2** Repeat on opposite side.

Dream Drape™







- 1 - Unzip the zipper behind the front canopy bow. **(7)**
- 2 - Pull the dream drape™ out of the compartment. **(8)**

Attach the dream drape™ to the magnets on each corner to the front of the carrier.

Seat Pad

- 1 - Open the snaps on both sides of the seat. **(9)**
- 2 - Press the red button to disengage the buckle. Remove the body support.
- 3 - Remove the seat pad. **(10)**

Installation concerns

-  **DO NOT** install this infant child restraint on vehicle seats with 2-Point Retractor Safety Belts with the Base. **(11)**
-  This infant child restraint is suitable for vehicle seats with a 3-point Retractor Safety Belt with the Base **(12)**, or ISOFIX anchor points WITH the Base. **(13)**
-  **DO NOT** place rear-facing child restraint on front seat with air bag. Death or serious injury may occur. **(14)** Please reference vehicle owner's manual for more information.
-  **DO NOT** install this infant child restraint on vehicle seats that face sideways or rearward with respect to the moving direction of the vehicle. **(15)**
-  It is recommended to install this infant child restraint on the rear vehicle seat. **(16)**
-  **DO NOT** install this infant child restraint on vehicle seats unstable during installation.

Handle Adjustment

- 1 - The infant carrier handle can be adjusted to 3 positions. **(17)**
 - 2 - To adjust the handle position, squeeze handle adjustment buttons on both sides. **(18)**-1 Rotate handle until it clicks into any of the 3 positions. Handle can be used in vehicle in any locked position. **(18)**-2
- ⚠** Be sure handle is locked in the carry position before lifting Child Restraint by handle. An unlocked handle could move unexpectedly, causing injury to child. Handle **MUST NOT** contact the vehicle interior (side of car or seat in front) when installed.

Shoulder Harness Pad

Shoulder harness pads are removable. Unfasten the snap to remove the shoulder harness pads. **(19)**

Crotch Pad

- 1 - Unbuckle the harness and locate the crotch pad strap. **(20)**
- 2 - Keep the tab at the end of the crotch pad strap flat against the strap and then route the crotch pad strap through the front of the buckle. **(21)**
- 3 - Pull the crotch pad off the buckle. **(22)**

Head and Body Support

The head and body supports can be used as necessary, to provide a snug fit for small babies.

- ⚠** The head support straps cannot go through the same slots as the harness and should only be used in the top two harness slot positions.
- 1 - To remove the head support, unfasten the hook and loop ends behind the seat fabric. **(23)**
 - 2 - Then, pull the strap on the right of head support out from the harness slots. **(24)**
- ⚠** Please keep to using the head support while using this product.
- 3 - To remove the body support, unbuckle the harness and route the buckle and crotch belt through the bottom slot of the body support. **(25)**
 - 4 - Foam inside body support is present to ensure that harness fits child properly. Body support must be used for children 0-6 months. **(26)**
 - 5 - To remove the low birth weight pillow, unfasten the hook and loop on the back of the body support and pull out the pillow. **(27)**

Shoulder Belts

- 1 - Tighten harness to fit snugly on child's shoulders. It is snug if you cannot pinch a fold in the strap. **(28)**
 - 2 - Harness straps must be at or just below shoulders. **(29)**
 - 3 - To adjust shoulder harness height, remove child and loosen harness by pressing the harness adjustment button **(30)-1** while pulling on the harness strap **(30)-2**. The harness adjustment button is located inside the slot on the seat pad.
 - 4 - Open the buckle. Pull loose ends of harness loop out through slots and place in correct slot. **(31)**
- ⚠ DO NOT** allow harness to pass over bars. Repeat process for second shoulder harness strap.

Product Use

Securing Child in Child Restraint

- 1 - Place child in Child Restraint in seated position. **(32)**
- 2 - The child should be seated against both the back and bottom of the seat with no gap behind the child. **DO NOT** allow child to slouch. **(33)**

Gently guide child's arms through harness loops.

- 3 - Place the child into the infant child restraint and lock the buckle. **(34)(35)(36)(37)**
- 4 - Tighten harness by pulling on the adjuster strap. Pull any excess harness webbing through the buckle towards the child's shoulder and pull on the adjuster strap. This may need to be repeated several times for proper fit. **(37)**

Verify that the harness is snug around the child's waist and shoulders.

- ⚠** Harness straps must be at or just below child's shoulders to avoid injury. If harness slots need to be moved, see Shoulder Belts section.
- ⚠** Make sure that nothing interferes with the harness. Make sure harness is snug around child and lays flat. Serious injury or death could occur to a child that is not secured properly.
- ⚠** If child is not secured properly, child could be ejected in a sudden stop or crash, resulting in serious injury or death.

Check that Child is Secure

- Buckle is fastened.
- Harness straps are not twisted.
- Harness is snug – A snug harness cannot be pinched, and should not allow any slack.

Installation

⚠️ WARNING Serious injury or death can occur. The seat alone cannot be installed in the vehicle. It must be installed with the base. **(38)**

Base Installation Using ISOFIX (Lower Attachments)

- 1** - Unfold the load leg. **(39)**
 - 2** - Fit the ISOFIX guides with the ISOFIX anchor points. **(40)** The ISOFIX guides can protect the surface of the vehicle seat from being torn. They can also guide the ISOFIX connectors.
 - 3** - Rotate the ISOFIX connectors 180 degrees until they are pointing in the direction of the ISOFIX guides. **(41)**
 - 4** - Line up the ISOFIX connectors with the ISOFIX guides, and then click both ISOFIX connectors into the ISOFIX anchor points. **(42)**
- ⚠️** Make sure that both ISOFIX connectors are securely attached to their ISOFIX anchor points. There should be two audible clicks and the colors of the indicators on the both ISOFIX connectors should be completely green. **(43)**

⚠️ Check to make sure the base is securely installed by pulling on the both ISOFIX connectors.

5 - After placing the base on the vehicle seat, extend the load leg to floor. When the load leg indicator shows green means it is installed correctly, red means it is installed incorrectly. **(44)**

⚠️ The load leg has 12 positions. When the load leg indicator shows red this means the load leg is in the wrong position.

⚠️ Make sure the load leg is secure by pressing down on the front of the base.

⚠️ To shorten the load leg, squeeze the load leg adjustment button and pull the load leg upwards. **(44)**

The completely assembled base is shown as **(45)**


⚠️ The ISOFIX connectors must be attached and locked onto the ISOFIX anchor points. **(45)-1**

⚠️ The load leg must be installed correctly with green indicator. **(45)-2**

Check the installation

- Base should not move side to side or forward more than 1" at belt path.

Attaching Child Restraint to Base







- 1 - After child is properly secured in infant carrier, press child restraint on base and listen for a click. Pull on child restraint to verify installation. (46)
-  **DO NOT** allow child restraint to contact the vehicle interior (side of car or seat in front) when installed on base.
- 2 - To release the child restraint, squeeze the carrier release button (47)-1 located on the base and then pull the child restraint up. (47)-2
- 3 - To remove the base, first push the base toward the vehicle seat with a light force. (48)
- 4 - As you push the base toward the vehicle seat, squeeze the secondary (49)-1 and primary ISOFIX release buttons (49)-2. For ease of release, push the secondary button first, then the primary button.
- 5 - Press the ISOFIX releasing button to fold the ISOFIX. (50)

Installation with 3-point-belt

- 1 - Open the vehicle belt lock-off and route the vehicle safety belt through the belt path. (51)
- 2 - Buckle the vehicle belt. Both the shoulder AND lap belt must be under the blue lock off and belts must lay flat. (52)

- 3 - While pressing the base into the vehicle seat (53)-1, tighten the vehicle belt by pulling straight along the belt path (53)-2, keeping both belts laying flat in the lock off.
- 4 - While the shoulder belt is tight, hook the bottom of blue lock off and press to close the lock off on the shoulder and lap belt. (54)

The installed base is shown as (55)

-  Please ensure that there is no gap between the vehicle seat and the bottom of the base.
 -  The safety belt must go under the lock off, not over the lock off. (55)-1
 -  The safety belt must be locked into the buckle. (55)-2
 -  The load leg must be installed correctly with green indicator. (55)-3
 -  The child restraint can not be used if the vehicle safety belt buckle (female buckle end) is too long to anchor the child restraint securely. (55)-4
- 5 - After child is properly secured in infant carrier, press Child Restraint on base and listen for a click. Pull on Child Restraint to verify installation. (56)
-  **DO NOT** allow Child Restraint to contact the vehicle door or seat in front of it.

- 6 - To release the Child Restraint, pull the infant carrier up (57)-2 while squeezing the infant carrier release button located on the base. (57)-1
- 7 - To remove the base, lift up on the the lock off. (58)
- 8 - Unbuckle the vehicle belt and un-route the shoulder and lap belt from the base. (59)

Then remove the base.

Installation on a Stroller

This infant carrier can attach to Nuna strollers using adapters. Instructions are included with the adapters, which are sold separately.

This infant carrier can also attach to other brands of strollers using adapters. Please visit nuna.eu for more information.

Cleaning and Maintenance

Your infant carrier is a valuable piece of equipment and deserves careful handling.

For reasons of safety, only use original Nuna parts.

Refer to the care label attached to the soft goods for washing and drying instructions.

Use only mild detergent, water and a soft cloth to clean the infant carrier shell, handle and harness straps. Air dry.

To clean the buckle: rinse using warm water. **DO NOT** use any soaps, solvents or lubricants. Using anything other than water can cause the buckle to malfunction. Air dry.

Remove the infant child restraint from the vehicle seat if not in use for a long period of time. Put the infant child restraint in a cool, dry place and somewhere your child can not access it.

It is normal for fabric to color from sunlight and to show wear and tear after a long period of use, even when used normally.

Check regularly if everything functions properly. If any parts are torn, broken, or missing, stop using this product.

BELANGRIJK!
DEZE INSTRUCTIES
BEWAREN VOOR
LATER GEBRUIK.
AANDACHTIG LEZEN

Inhoud

Productinformatie	
Productregistratie	28
Garantie	28
Contact	28
Vereisten kindergebruik	29
Voor gebruik met voet	30
Waarschuwingen	31
Onderdelenlijst kinderzitje	36
Onderdelenlijst voet	38
Productoverzicht	40
Gebruiken	44
Installatie	46
Reiniging en onderhoud	51

Productinformatie

Modelnummer: _____

Fabricagedatum: _____

Productregistratie

Alle producten zijn voorzien van een label met het serienummer en het nummer van het productmodel. Dit label vindt u op de voet. Voordat u contact opneemt met de klantendienst, moet u deze nummers bij de hand hebben.

Ga voor het registreren van uw product naar:

www.nuna.eu/register-gear

Garantie

Wij hebben onze hoogwaardige producten opzettelijk zo ontworpen dat ze kunnen mee kunnen groeien met zowel uw kind als uw familie. Omdat wij achter ons product staan, wordt onze uitrusting gedekt door een aangepaste garantie per product, beginnend op de dag van aanschaf. Houd het aankoopbewijs, het modelnummer en de fabricagedatum klaar als u contact met ons opneemt.

Ga voor garantie-informatie naar:

www.nuna.eu/warranty

Contact

Neem contact op met onze klantenservice-afdelingen voor vervangende onderdelen, service of aanvullende vragen over de garantie.

info@nuna.eu

www.nuna.eu

Vereisten kindergebruik

Dit product is geschikt voor gebruik met kinderen die aan de volgende eisen voldoen:

Massagroep: 0+

Gewicht: Kind dat tot 13 kg weegt (ongeveer 1,5 jaar oud of jonger)

Voor gebruik met voet

Het kinderzitje met voet is een 'semi-universeel kinderzitje' en moet gemonteerd worden met een 3-punts gordel voor volwassenen en goedgekeurd volgens UN ECE R16 of met de ISOFIX-aansluitingen.

Voor installatie met 3-puntsgordel

Het is geschikt voor auto's voorzien van een intrekbare 3-punts veiligheidsgordel. Stoelposities in andere auto's kunnen eveneens geschikt zijn voor dit kinderzitje. Neem in geval van twijfel contact op met de fabrikant of de verkoper.

Voor installatie met het ISOFIX-systeem

Dit is een kinderzitje voor het ISOFIX SYSTEEM. Het is goedgekeurd volgens verordening nr. 44, reeks amendementen 04, voor algemeen gebruik in auto's uitgerust met ISOFIX-verankeringsystemen.

Het is geschikt voor voertuigen met posities die zijn goedgekeurd als ISOFIX-posities (zoals beschreven in het handboek van het voertuig), afhankelijk van de categorie van het kinderzitje en van de bevestiging. Neem in geval van twijfel contact op met de fabrikant of de verkoper van het kinderzitje.

De ISOFIX-groottesklasse waarvoor dit zitje is bedoeld, is C en D.

WAARSCHUWING

Zet het kind altijd vast in het kinderzitje, zelfs op korte tochtjes, omdat daarbij de meeste ongelukken plaatsvinden.

Alle riemen waarmee het kinderzitje aan het voertuig is bevestigd, moeten strak zitten, riemen die het kind vasthouden, moeten zijn afgesteld op het lichaam van het kind, en de riemen mogen niet verdraaid zijn.

Nadat uw kind in dit kinderzitje is geplaatst, moet u de veiligheidsriem goed gebruiken en ervoor zorgen dat elke middelriem laag wordt gedragen zodat het bekken goed vastzit.

Zorg ervoor dat het kinderzitje op zo'n manier geïnstalleerd wordt dat onderdelen niet in de weg zitten bij verplaatsbare stoelen of bij de werking van autodeuren.

Voordat u het kinderzitje met de hand draagt, moet u ervoor zorgen dat het kind vastzit met de veiligheidsgordels en dat het handvat goed is vergrendeld in een verticale stand.

Neem contact op met de distributeur over onderhoud, reparaties en vervangen van onderdelen.

Controleer de ISOFIX-geleiders regelmatig op vuil en maak ze zo nodig schoon. De betrouwbaarheid loopt terug door het binnendringen van vuil, stof, voedselresten, enz.

GEEN ENKEL kinderzitje biedt volledige bescherming tegen letsel bij een ongeluk. Maar het juiste gebruik van het kinderzitje vermindert het risico van ernstig letsel of de dood.

Houd dit kinderzitje uit de buurt van zonlicht, anders kan het te heet worden voor de huid van uw kind.

Raak het kinderzitje altijd aan voordat u het kind erin plaatst.

Haal het kinderzitje uit de auto als het niet regelmatig gebruikt wordt.

Dit kinderzitje is **UITSLUITEND** bedoeld voor een kind dat minder dan 13 kg weegt.

De afdekking van het zitje en de binnenvoering mogen alleen worden vervangen door onderdelen die door de fabrikant worden aangeraden.

De zachte onderdelen vormen een belangrijk onderdeel van de werking van het kinderzitje.

Om uit het zitje vallen te vermijden, moet u het kind altijd met de veiligheidsgordels vastmaken als u het in het kinderzitje zet, ook als het zitje zich niet in het auto bevindt.

Om ernstig letsel of de dood te vermijden, mag u het kinderzitje **NOOIT** op een een hogere stoel plaatsen terwijl het kind erin zit.

De onderdelen van dit kinderzitje mogen niet worden ingevet.

Plaats **ALLEEN** de aanbevolen binnenkussens in dit kinderzitje.

Gebruik dit kinderzitje **NIET** nadat het bij een ongeluk betrokken is geweest, zelfs bij een klein ongeluk. Vervang het direct, omdat er onzichtbare structurele schade kan zijn ontstaan door de botsing.

Gebruik of installeer dit kinderzitje **NIET** voordat u de instructies in deze handleiding en in de handleiding van uw auto hebt gelezen en begrepen.

Breng **GEEN** veranderingen of aanvullingen aan enig deel van het kinderzitje of de voet aan. Gebruik geen accessoires of onderdelen van andere fabrikanten. Dit kan de werking van het kinderzitje veranderen wat tot ernstig letsel of overlijden kan leiden.

Gebruik dit kinderzitje **NIET** als het is beschadigd of als onderdelen ontbreken.

Kleed uw kind **NIET** in te ruimzittende kleding, omdat dit kan voorkomen dat uw kind goed en stevig wordt vastgezet met de schoudergordels en de kruisriem tussen de benen.

Breng **GEEN** veranderingen aan dit kinderzitje aan en gebruik het niet in combinatie met onderdelen van andere fabrikanten.

Laat dit kinderzitje **NIET** los of niet goed bevestigd in de auto staan omdat een niet goed vastgezet kinderzitje rondgeslingerd kan worden en de inzittenden kan verwonden bij een scherpe bocht, plotseling remmen of een botsing.

Plaats een achteruit kijkend kinderzitje **NIET** op een voorstoel met een airbag. Dit kan de dood of ernstig letsel als gevolg hebben.

Zie de handleiding van het voertuig voor meer informatie.

Gebruik dit kinderzitje **NIET** zonder de zachte onderdelen.

Gebruik GEEN andere lastdragende contactpunten dan degene die in de aanwijzingen worden beschreven en die op het kinderzitje zijn aangegeven.

Plaats GEEN voorwerpen in het beengebied voor de voet.

Laat uw kind NOOIT zonder toezicht achter in het kinderzitje.

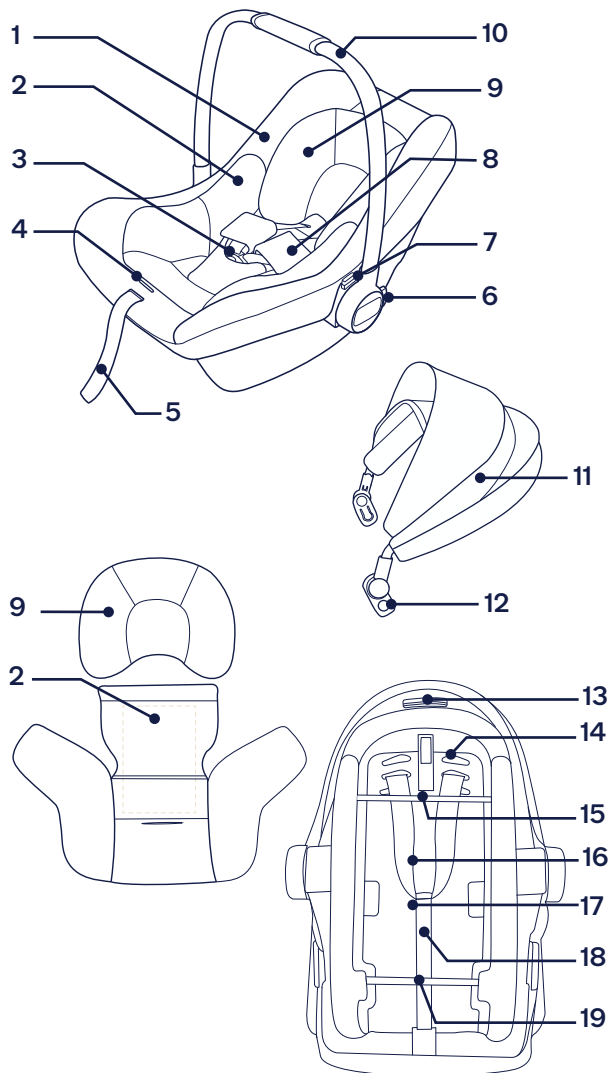
Gebruik NOOIT een tweedehands kinderzitje of een zitje waarvan u de afkomst niet kent, omdat deze structurele schade kan hebben die de veiligheid van uw kind in gevaar brengt.

Gebruik NOOIT touwen of andere vervangingsmiddelen om het kinderzitje in de auto vast te zetten of het kind in het kinderzitje vast te maken. Gebruik alleen de autogordels om het kinderzitje in de auto vast te zetten.

Onderdelenlijst kinderzitje

Zorg dat alle onderdelen voor het opslaan droog zijn. Wanneer er een onderdeel ontbreekt, kunt u contact opnemen met Nuna (zie pagina 26 voor informatie). Voor de montage is geen gereedschap nodig.

- | | |
|-------------------------------|-------------------------------|
| 1 Zitkussen | 11 Kap |
| 2 Lichaamssteun (x2) | 12 Ontgrendelknop kap |
| 3 Gesp- en kruisblok | 13 Ontgrendelknop wandelwagen |
| 4 Knop gordelaanpassing | 14 Uitsparingen van gordel |
| 5 Band gordelaanpassing | 15 Bevestigingsbalk voet |
| 6 Instelknop handgreep | 16 Banden gordel |
| 7 Ontgrendelknop wandelwagen* | 17 Lussen schoudergordel |
| 8 Schoudergordelkussens | 18 Scheidingsplaat |
| 9 Hoofdsteen (x2) | 19 Bevestigingsbalk voet |
| 10 Handgreep | |

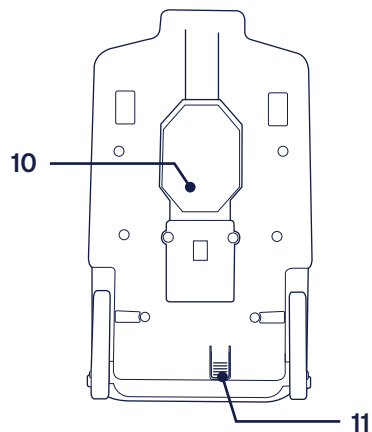
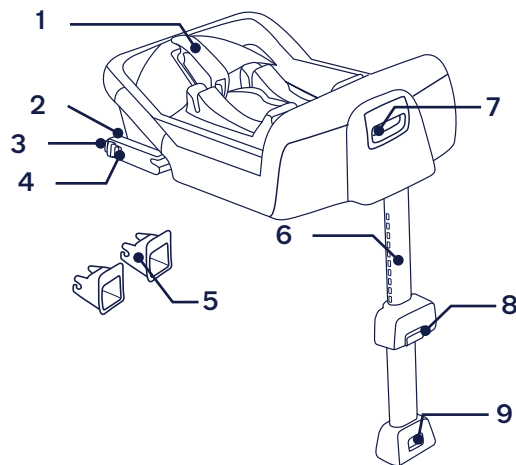


*alleen gebruikt met adapters voor kinderzitjes

Onderdelenlijst voet

Zorg dat alle onderdelen voor het opslaan droog zijn. Wanneer er een onderdeel ontbreekt, kunt u contact opnemen met Nuna (zie pagina 26 voor informatie). Voor de montage is geen gereedschap nodig.

- | | |
|---|---------------------------------------|
| 1 Vergrendeling voertuigriem | 6 Steunvoet |
| 2 Vaste vergrendeling (onderste bevestigingen) | 7 Ontgrendelknop drager |
| 3 Ontgrendelknop secundaire vaste vergrendeling | 8 Instelknop stabiliteitspoot |
| 4 Ontgrendelknop primaire vaste vergrendeling | 9 Stabiliteitspootindicator |
| 5 Geleiders vaste vergrendeling | 10 Opbergruimte instructiehandleiding |
| | 11 ISOFIX-ontgrendelknop |



Productoverzicht

Kap

- 1 - Om de kap te monteren, drukt u de kapbeugels in de sleuf in de bekleding om hem aan het zitje te bevestigen. **(1)** Een klikkend geluid betekent dat de kapbeugels vergrendeld zijn. **(2)**
- 2 - Steek de kap- en lusbevestiging op de achterkant van de kap en het zitje. **(3)**
- 3 - Om de kap te bevestigen klikt u de kap aan beide kanten op de kaphouder. **(4)**
- 4 - Om de kap te openen, trekt u deze naar voren over de voorkant van het stoeltje, en om hem dicht te vouwen, drukt u hem terug.
- 5 - Om de kap te verwijderen voert u stap 1 in omgekeerde volgorde uit. Klik vervolgens het zitkussen uit de schaal en til de stof op. **(5)**
- 6 - Druk op de ontgrendelknop van de kap **(6)-1** en trek de kap door de uitsparing van de stof. **(6)-2** Herhaal dit aan de andere kant.







Dream Drape™

- 1 - Maak de rits los achter de voorste strik van de kap. **(7)**
 - 2 - Trek de dream drape™ uit het vak. **(8)**
- Bevestig de Dream Drape™ aan de MAGNETEN op elke hoek voorop de wagen.

Zitkussen

- 1 - Open de sluitingen aan beide kanten van het zitje. **(9)**
- 2 - Druk op de rode knop om de gesp los te maken. Verwijder de lichaamssteun.
- 3 - Verwijder het zitkussen. **(10)**

Opletten bij installatie

-  Installeer dit kinderzitje NIET op stoelen met een 2-punts intrekbare veiligheidsgordel met de voet. **(11)**
-  Dit kinderzitje is UITSLUITEND geschikt voor autostoelen met een 3-punts intrekbare veiligheidsgordel met de voet **(12)**, en voor ISOFIX-ankerpunten MET de voet. **(13)**
-  Plaats een achteruit kijkend kinderzitje NIET op een voorstoel met een airbag. Dit kan de dood of ernstig letsel als gevolg hebben. **(14)** Zie de handleiding van het voertuig voor meer informatie.
-  Installeer dit zitje NIET op stoelen die opzij of naar achteren kijken ten opzichte van de rijrichting van het voertuig. **(15)**
-  Aanbevolen wordt om dit kinderzitje op de autostoel achter te plaatsen. **(16)**
-  NIET het kinderzitje installeren op autostoelen die tijdens de installatie bewegen.

Handvataanpassing

- 1 - Het handvat van de babydraagmodule is in drie standen instelbaar. **(17)**
 - 2 - Om de handgreep af te stellen, knijpt u de handgreepknoppen aan beide zijden samen. **(18)**-1 Draai de greep tot deze in een van de 3 standen klikt. De greep kan in elke vergrendelde positie in het voertuig worden gebruikt. **(18)**-2
- !** Zorg ervoor dat de greep vergrendeld is in de draagpositie voordat u het kinderzitje aan de greep optilt. Een niet vergrendelde greep kan onverwacht bewegen, waardoor letsel voor uw kind kan ontstaan. De greep MAG GEEN contact maken met het interieur van het voertuig (zijdant voertuig of voorstoel) tijdens de installatie.

Schoudergordelkussens

De schoudergordelkussens kunnen worden verwijderd. Maak de gesp los om de kussens van de schouderriemen te verwijderen. **(19)**

Kruisblok

- 1 - Gesp de gordel los en plaats de band van het kruisblok. **(20)**
- 2 - Houd de flab aan het einde van de band van het kruisblok plat tegen de band en geleid vervolgens de band van het kruisblok door het voorste gedeelte van de gesp. **(21)**

- 3 - Trek het kruisblok van de gesp. **(22)**

Hoofd- en lichaamssteun

De hoofd- en lichaamssteunen kunnen indien nodig worden gebruikt om een goede pasvorm voor kleine baby's te bieden.

- !** De banden van de hoofdsteun mogen niet door dezelfde uitsparingen als de gordel en mogen alleen in de twee bovenste uitsparingsposities van de gordel worden gebruikt.
- 1 - Om de hoofdsteun te verwijderen, maakt u de haak en lusuiteinden achter de stof van het zitje los. **(23)**
 - 2 - Trek vervolgens de banden van de hoofdsteun door de uitsparingen van de gordel. **(24)**
- !** Blijf de hoofdsteun gebruiken bij het gebruik van dit product.
- 3 - Om de lichaamssteun te verwijderen, gespt u de gordel los en geleid de gesp en kruisriem door de onderste uitsparing van de lichaamssteun. **(25)**
 - 4 - Er zit foam in de lichaamssteun om ervoor te zorgen dat de gordel perfect zit bij het kind. De lichaamssteun dient te worden gebruikt voor kinderen van 0-6 maanden. **(26)**
 - 5 - Om het kussen voor kinderen met laag geboortegewicht te verwijderen, maakt u de haak en de lus aan de achterkant van de lichaamssteun los en trekt het kussen eruit. **(27)**

Schouderbanden

- 1 - Zet de gordel vast zodat deze strak zit bij de schouders. Hij zit strak als u geen vouw in de band kunt maken. **(28)**
 - 2 - Gordelbanden dienen op of net onder de schouders te zitten. **(29)**
 - 3 - Om de hoogte van de schoudergordel te verstellen, verwijdert u het kind en maakt u de gordel los door op de knop gordelaanpassing te drukken **(30)-1** terwijl u aan de gordelband trek **(30)-2** De knop gordelaanpassing vindt u in de uitsparing op het zitkussen.
 - 4 - Open de gesp. Trek de losse uiteinden van de gordellus uit de uitsparing en plaats ze in de juiste uitsparing. **(31)**
- !** NOOIT de gordel over balken laten lopen. Herhaal het proces voor de tweede schoudergordelband.

Gebruiken

Uw kind in het kinderzitje vastzetten

- 1 - Plaats het kind in zittende houding in het kinderzitje. **(32)**
- 2 - Het kind dient tegen zowel de achterkant als de onderkant van het zitje te zitten, er mag geen ruimte achter het kind zitten. Het kind mag NIET hangen. **(33)**

Geleid de armen van het kind voorzichtig door de lussen van de gordel. **3** - Zet het kind in het kinderzitje en sluit de gesp. **(34)(35)(36)(37)**

- 4 - Zet de gordel vast door aan de instelband te trekken. Trek eventuele overtollige gordelband door de gesp naar de schouder van het kind en trek de instelband vast. Het kan nodig zijn om dit een aantal malen te herhalen voor een correcte zit. **(37)**

Controleer of de gordel strak zit om de middel en schouders van het kind.

- !** Gordelbanden moeten op of net beneden de schouders van een kind zitten om letsel te voorkomen. In het geval gordeluitsparingen verplaatst moeten worden kijk u in de paragraaf schouderbanden.
- !** Zorg ervoor dat niets de gordel in de weg zit. Zorg ervoor dat de gordel strak om het kind zit en vlak ligt. Voor een kind dat niet op de correcte manier is vastgezet, kan letsel of zelfs de dood het gevolg zijn.
- !** Als het kind niet correct vastzit, kan het gelanceerd worden bij een plotselinge stop of ongeluk, wat kan resulteren in ernstig letsel of de dood.

Controleer of het kind veilig vastzit

- Gesp zit vast.
- De gordelbanden zitten niet gedraaid.
- Gordel zit strak - Een strakke gordel kan niet worden gevouwen en maakt slap hangen onmogelijk.

Installatie

⚠WAARSCHUWING Kans op ernstig letsel of de dood. Het zitje kan niet alleen worden geïnstalleerd in het voertuig. Het dient met de voet te worden geïnstalleerd. **(38)**

Installatie van de voet met behulp van ISOFIX (onderste bevestigingen)

- 1** - Vouw de steunvoet open. **(39)**
- 2** - Voorzie de ISOFIX-geleiders van de ISOFIX-ankerpunten. **(40)** De ISOFIX-geleiders voorkomen dat het oppervlak van de autostoel gescheurd wordt. Ze kunnen tevens de ISOFIX-aansluitingen geleiden.
- 3** - Draai de ISOFIX-aansluitingen 180 graden tot ze in de richting van de ISOFIX-geleiders wijzen. **(41)**
- 4** - Lijn de ISOFIX-aansluitingen uit met de ISOFIX-ankerpunten en klik beide ISOFIX-aansluitingen in de ISOFIX-ankerpunten. **(42)**

⚠ Controleer of beide ISOFIX-aansluitingen stevig vast zitten aan hun ISOFIX-ankerpunten. U moet twee klikken horen en de kleuren van de indicatoren op beide ISOFIX-aansluitingen moeten groen zijn. **(43)**

⚠ Controleer of de voet goed vast zit door aan beide ISOFIX-connectoren te trekken.

5 - Nadat de voet op de autostoel is geplaatst, moet u de steunvoet tot de vloer verlengen. Wanneer de indicator van de steunvoet groen is, betekent dit dat de voet correct is geïnstalleerd. Rood wijst op een onjuiste installatie. **(44)**

⚠ De steunvoet heeft 12 standen. Als de steunvoetindicator rood is, betekent dit dat de steunvoet in de verkeerde stand staat.

⚠ Controleer of de steunvoet vastzit door op de voorkant van de voet te drukken.

⚠ Om de steunvoet in te korten, knijpt u de ontgrendelingsknop van de steunvoet in en trekt u deze omhoog. **(44)**

De volledig gemonteerde voet wordt afgebeeld in **(45)**


⚠ De ISOFIX-aansluitingen moeten worden aangesloten en vergrendeld in de ISOFIX-ankerpunten. **(45)-1**

⚠ De steunvoet moet goed zijn geplaatst en de indicator moet groen zijn. **(45)-2**

Controleer de installatie






- De voet mag niet meer dan 1" zijdelings of voorwaarts op de gordelband.

Het kinderzitje aan de voet bevestigen

- 1 - Nadat het kind correct is vastgezet in de babydraagmodule, drukt u het kinderzitje op de voet en wacht u totdat u een klik hoort. Druk om het kinderzitje om de installatie te controleren. **(46)**
-  Het kinderzitje mag GEEN contact maken met het voertuiginterieur (zijkant van de auto of voorstoel) wanneer het op de voet is geïnstalleerd.
- 2 - Voor het losmaken van het kinderzitje, knijpt u de ontgrendelknop van de drager in **(47)-1** deze vindt u op de voet en vervolgens drukt u het kinderzitje omhoog. **(47)-2**
- 3 - Om de voet te verwijderen, drukt u deze eerst met lichte kracht richting de voertuigstoel. **(48)**
- 4 - Terwijl u de voet richting de voertuigstoel duwt, knijpt u de secundaire **(49)-1** en primaire ontgrendelknoppen vaste vergrendeling in **(49)-2**. Om het ontgrendelen te vergemakkelijken, drukt u eerst op de secundaire knop, vervolgens op de primaire knop.
- 5 - Druk op de ISOFIX-ontgrendelknop om de ISOFIX op te vouwen. **(50)**

Installatie met driepuntsgordel

- 1 - Open de beveiliging van de veiligheidsgordel en voer de veiligheidsgordel door het pad van de gordel. **(51)**
 - 2 - Gesp de veiligheidsriem vast. Zowel de schouder- ALS de lendengordels dienen onder de blauwe vergrendeling dienen vlak te liggen. **(52)**
 - 3 - Terwijl u de voet in de voertuigstoel drukt **(53)-1**, zet u de voertuigband vast door deze langs de gordelband te trekken **(53)-2**, waarbij beide banden vlak in de vergrendeling worden gehouden.
 - 4 - Haak de onderkant van de blauwe vergrendeling los terwijl de schouderband strak staat en drukt u om de vergrendeling op de schouder- en lendengordel te sluiten. **(54)**
- De geïnstalleerde voet wordt getoond als **(55)**

-  Controleer of er geen ruimte is tussen de autostoel en de onderkant van de voet.
-  De veiligheidsriem moet onder de vergrendeling door gaan, niet er overheen. **(55)-1**
-  De veiligheidsgordel moet vastzitten in de gespsluiting. **(55)-2**
-  De steunvoet moet goed zijn geplaatst en de indicator moet groen zijn. **(55)-3**
-  Het kinderzitje kan niet worden gebruikt als

de gesp van de veiligheidsriem (vrouwelijke gespkant) te lang is om het kinderzitje veilig vast te zetten. **(55)-4**

- 5** - Nadat het kind correct is vastgezet in de babydraagmodule, drukt u het kinderzitje op de voet en wacht u totdat u een klik hoort. Druk op het kinderzitje om de installatie te controleren. **(56)**

! Het kinderzitje **MAG NIET** in contact komen met de voertuigdeur of de stoel die er voor zit.

- 6** - Om het kinderzitje te verwijderen, drukt u de babydraagmodule omhoog **(57)-1** terwijl u de ontgrendelknop van de babydraagmodule, die zich op de voet bevindt, inknijpt. **(57)-2**

- 7** - Verwijder de voet, en til deze op tot aan de vergrendeling. **(58)**

- 8** - Gesp de veiligheidsriem los en geleid de schouder- en lendengordel uit de voet. **(59)**

Verwijder vervolgens de voet.

Installatie op een wandelwagen

Deze babydraagmodule kan met behulp van adapters op een Nuna wandelwagen worden bevestigd. De instructies zijn inbegrepen bij de adapters, die apart worden verkocht.

Deze babydraagmodule kan met behulp van adapters ook op andere merken wandelwagens worden bevestigd. Ga naar nuna.eu voor meer informatie.

Reiniging en onderhoud

Uw babydraagmodule is een waardevol voorwerp dat een zorgvuldige behandeling verdient.

Uit veiligheidsoverwegingen mag u uitsluitend originele onderdelen van Nuna gebruiken.

Raadpleeg het wasetiket dat aan de zachte goederen is bevestigd voor was- en drooginstructies.

Gebruik alleen een zacht schoonmaakmiddel, water en een zachte doek om de kuip van het kinderzitje, de hendel en de riemen en voet schoon te maken. Drogen in de lucht

De gesp reinigen: afspoelen met warm water. Gebruik **GEEN** zeep, oplosmiddelen of smeermiddelen. Door iets anders dan water te gebruiken, kan de gesp defect raken. Drogen in de lucht

Haal het kinderzitje uit de autostoel als het voor langere tijd niet wordt gebruikt. Berg het kinderzitje op een koele en droge plaats op, waar uw kind er niet bij kan.

Het is normaal dat materialen verkleuren door blootstelling aan zonlicht en na langdurig gebruik slijtage vertonen, zelfs bij gangbaar gebruik.

Controleer regelmatig of alles nog goed werkt. Gebruik de kinderwagen niet meer als onderdelen zijn gescheurd, gebroken of ontbreken.

©2018 Nuna International B.V. Nuna en alle gekoppelde logo's zijn handelsmerken

**IMPORTANT !
CONSERVEZ CES
INSTRUCTIONS POUR
UNE UTILISATION
FUTURE :**
LIRE ATTENTIVEMENT

Sommaire

Informations sur le produit

Enregistrement du produit	54
Garantie	54
Contact	55

Exigences d'utilisation par les enfants

55

Utilisation avec la base

56

Avertissements

57

Liste des pièces du siège auto pour bébé

62

Liste des pièces de la base

64

Vue d'ensemble du produit

66

Utilisation du produit

70

Installation

72

Nettoyage et maintenance

77

Informations sur le produit

Numéro de modèle : _____

Fabriqué le (date) : _____

Enregistrement du produit

Tous les produits comprennent une étiquette de série qui répertorie le numéro de modèle et le numéro de série du produit. Cette étiquette se situe sur la base. Avant de contacter le service client, ayez ces numéros à disposition pour référence.

Pour enregistrer votre produit, veuillez vous rendre sur le site suivant :

www.nuna.eu/register-gear

Garantie

Nous avons conçu spécialement nos produits de haute qualité afin qu'ils puissent accompagner le développement de votre enfant et de votre famille. Nous soutenons notre produit en couvrant notre matériel par une garantie personnalisée, commençant le jour de son achat. Ayez la preuve d'achat, le numéro de modèle et la date de fabrication à votre disposition lorsque vous nous contactez.

Pour des informations sur la garantie, veuillez vous rendre sur le site suivant :

www.nuna.eu/warranty

Contact

Pour des informations sur les pièces de rechange, le service ou des questions supplémentaires sur la garantie, veuillez contacter notre service client.

info@nuna.eu

www.nuna.eu

Exigences d'utilisation par les enfants

Ce produit est adapté aux enfants répondant aux exigences suivantes :

Groupe de masse : 0+

Poids : Enfant pesant moins de 13 kg
(environ 1 an et demi ou moins)

Utilisation avec la base

Le siège bébé avec base est un “Siège bébé semi-universel” et doit être installé avec une ceinture pour adultes à 3 points approuvée selon la réglementation UN ECE 16 ou les connexions ISOFIX.

Pour une installation avec ceinture à 3 points

Il conviendra aux véhicules disposant de ceintures de sécurité rétractables à 3 points. Les positions de siège dans d'autres voitures peuvent aussi convenir pour ce siège de bébé. En cas de doute, consultez le fabricant du dispositif de retenue pour enfants ou le distributeur.

Pour une installation avec le système ISOFIX

Il s'agit d'un SYSTÈME DE RETENUE D'ENFANT ISOFIX. Il est approuvé par la série d'amendements de la réglementation NO. 44, 04 pour une utilisation générale dans des véhicules équipés de systèmes d'ancrage ISOFIX.

Il est compatible avec les véhicules ayant des positions approuvées en tant que positions ISOFIX (telles que détaillées dans le manuel du véhicule), selon la catégorie du siège bébé et de la fixation. En cas de doute, veuillez consulter le fabricant du dispositif de retenue pour enfants ou le constructeur du véhicule.

La classe de taille ISOFIX pour laquelle ce dispositif est prévu est C et D.

AVERTISSEMENT

Attachez toujours l'enfant dans le siège bébé, même pour de courts trajets, car c'est précisément lors de ceux-ci que le plus d'accidents surviennent.

Les sangles de fixation du dispositif de retenue pour enfants au véhicule doivent être serrées, les sangles de retenue de l'enfant doivent être ajustées à son corps et ne doivent pas être tordues.

Une fois votre enfant placé dans ce dispositif de retenue pour bébé/enfant, la ceinture de sécurité doit être utilisée correctement, en vérifiant que les lanières à la taille sont bien placées en bas, afin que le bassin soit bien engagé.

Assurez-vous que le siège bébé est installé de sorte qu'aucune partie ne gêne les sièges amovibles ou le fonctionnement des portes du véhicule.

Avant de transporter le siège de bébé à la main, vérifiez que l'enfant est attaché avec le harnais de sécurité, et que la poignée est bien verrouillée en position verticale.

Consultez le distributeur pour tout ce qui est maintenance, réparation et remplacement de pièces.

Vérifiez régulièrement la présence de saleté sur les guides ISOFIX et nettoyez-les si nécessaire. La fiabilité peut être affectée par l'infiltration de poussière, saletés, particules de nourriture, etc.

AUCUN siège de bébé ne peut garantir une protection complète contre les blessures en cas d'accident. Cependant, une bonne utilisation de

ce siège bébé réduira les risques de blessures sérieuses ou de mort pour votre enfant.

Veillez maintenir ce siège bébé à l'écart de la lumière du soleil, car il pourrait devenir trop chaud pour la peau de l'enfant. Touchez toujours le siège pour le tester avant d'installer votre enfant dedans.

Retirez ce siège de bébé du siège du véhicule si vous ne prévoyez pas de l'utiliser pendant une longue période.

Ce siège bébé est conçu **UNIQUEMENT** pour les enfants pesant moins de 13 kg.

Les parties souples ne doivent pas être remplacées par d'autres que celles recommandées par le fabricant.

Les parties souples font entièrement partie des performances du siège bébé.

Pour éviter les risques de chute, attachez toujours l'enfant avec le harnais de sécurité lorsque l'enfant est placé dans le siège bébé, même lorsque le siège bébé n'est pas dans le véhicule.

Pour éviter les blessures graves ou la mort, ne placez **JAMAIS** le siège de bébé sur une surface élevée avec l'enfant dedans.

Les pièces de ce siège bébé ne doivent en aucune façon être lubrifiées.

NE PLACEZ RIEN d'autre que les coussins internes recommandés sur ce siège bébé.

NE CONTINUEZ PAS à utiliser ce siège de bébé après un accident, même mineur. Remplacez-le

immédiatement, car des dommages structurels invisibles pourraient avoir été causés par l'accident.

N'UTILISEZ PAS et **N'installez PAS** ce dispositif de retenue pour enfants avant d'avoir lu et compris les instructions de ce manuel et du manuel du propriétaire de votre véhicule.

NE FAITES AUCUN ajout ni modification à une partie quelconque du siège bébé ou de la base. **N'utilisez PAS** des pièces ou des accessoires fournis par d'autres fabricants. La fonction de l'ensemble du siège bébé pourrait être altérée, entraînant des blessures graves ou la mort.

N'UTILISEZ PAS ce siège de bébé si des pièces sont endommagées ou manquantes.

NE METTEZ PAS à votre enfant des vêtements trop amples/grands, car cela pourrait l'empêcher d'être bien attaché par les sangles du harnais pour épaules et les harnais entre les cuisses.

NE FAITES AUCUNE modification sur ce siège bébé et ne l'utilisez pas avec des pièces d'autres fabricants.

NE LAISSEZ PAS ce siège bébé ou d'autres objets détachés ou non fixés dans votre véhicule, car un siège bébé non fixé peut basculer et blesser les passagers lors de virages serrés, d'arrêts soudains ou de collisions.

NE PLACEZ PAS le siège bébé dos à la route sur un siège avant avec un airbag. Ceci créerait des risques de blessures ou de mort.

FR

Veillez vous reporter au manuel de l'utilisateur du véhicule pour plus d'informations.

N'UTILISEZ PAS ce siège bébé sans les parties souples.

N'UTILISEZ PAS de points de contact porteurs autres que ceux décrits dans les instructions et indiqués sur le siège bébé.

NE PLACEZ AUCUN objet dans la zone de piètement de charge en face de la base.

NE LAISSEZ JAMAIS votre enfant sans surveillance dans ce siège bébé.

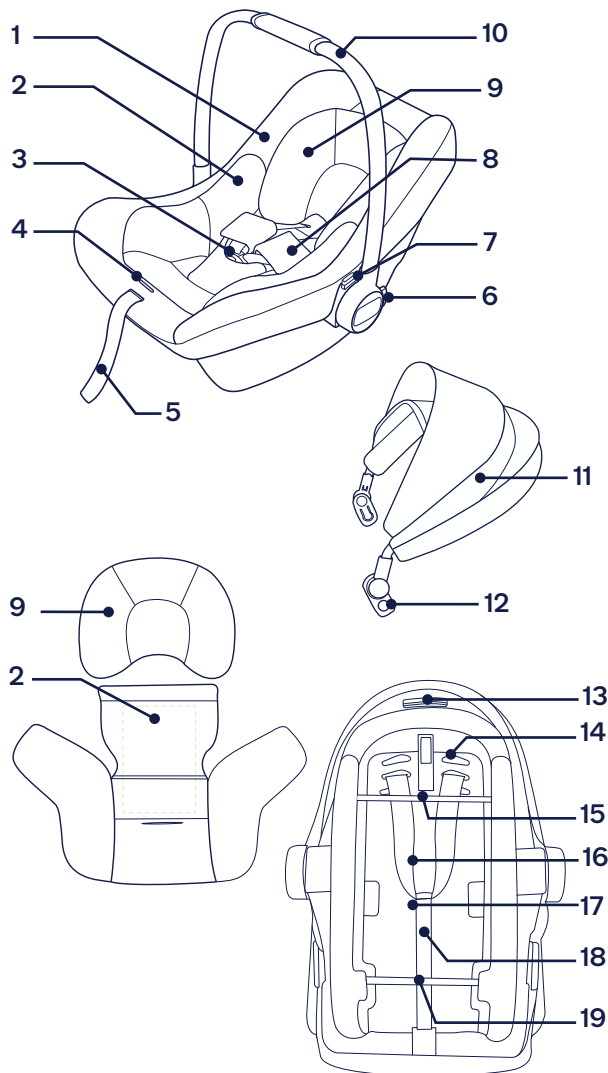
N'UTILISEZ JAMAIS un siège bébé/enfant d'occasion ou dont vous ne connaissez pas le passé, car de tels sièges pourraient présenter des dommages structurels mettant la sécurité de votre enfant en péril.

N'UTILISEZ JAMAIS de cordes ou d'autres substituts pour attacher le siège bébé dans le véhicule ou pour attacher l'enfant dans le siège bébé. Utilisez uniquement la ceinture du véhicule pour attacher le siège bébé dans le véhicule.

Liste des pièces du siège auto pour bébé

Assurez-vous que toutes les pièces sont présentes avant le montage. Si une pièce est manquante, veuillez contacter Nuna (voir la page 52 pour plus d'informations). Le montage ne nécessite aucun outil.

- | | |
|---|---|
| 1 Assise de siège | 10 Poignée |
| 2 Support corporel (x2) | 11 Canopy |
| 3 Coussin de boucle et d'entrejambe | 12 Bouton de déverrouillage de la voileure |
| 4 Bouton de réglage du harnais | 13 Bouton de déverrouillage de la poussette |
| 5 Sangle de réglage du harnais | 14 Fentes du harnais |
| 6 Bouton d'ajustement de la poignée | 15 Barre de fixation de la base |
| 7 Bouton de déverrouillage de la poussette* | 16 Sangles de harnais |
| 8 Coussins du harnais de sécurité | 17 Boucles du harnais pour épaules |
| 9 Support de tête (x2) | 18 Plaque de séparation de la base |
| | 19 Barre de fixation de la base |

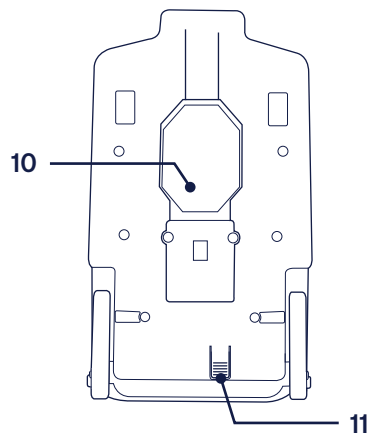
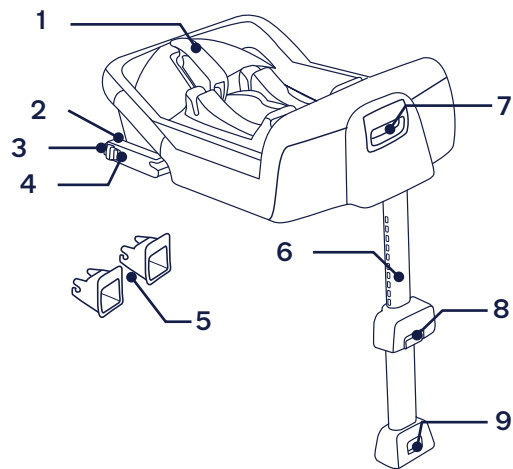


*uniquement utilisé avec les adaptateurs de de siège auto pour bébé

Liste des pièces de la base

Assurez-vous que toutes les pièces sont présentes avant le montage. Si une pièce est manquante, veuillez contacter Nuna (voir la page 52 pour plus d'informations). Le montage ne nécessite aucun outil.

- | | | | |
|---|--|----|---|
| 1 | Pince d'arrêt de la ceinture du véhicule | 6 | Piètement de charge |
| 2 | LOQUET rigide (fixations inférieures) | 7 | Bouton de déverrouillage du siège |
| 3 | Bouton de déverrouillage du LOQUET rigide secondaire | 8 | Bouton de réglage du piètement de stabilisation |
| 4 | Bouton de déverrouillage du LOQUET rigide principal | 9 | Indicateur de piètement de stabilisation |
| 5 | Guides du LOQUET rigide | 10 | Rangement du guide d'utilisation |
| | | 11 | Bouton de déverrouillage ISOFIX |



Vue d'ensemble du produit

Voilure

- 1 - Pour assembler la voilure, poussez les montants de la voilure dans la fente du tissu à fixer au siège. (1) Vous entendrez un « clic » signifiant que les montants de la voilure sont complètement verrouillés. (2)
- 2 - Fermez les attaches velcro à l'arrière de la voilure et du siège. (3)
- 3 - Pour fixer la voilure, clipsez la voilure sur les deux côtés du montant de la voilure. (4)
- 4 - Pour ouvrir la voilure, tirez la voilure vers l'avant du siège. Pour fermer la voilure, repoussez-la.
- 5 - Pour enlever la voilure, effectuez l'étape 1 dans le sens inverse. Ensuite, déclipsez le coussin de siège de la coque et soulevez le tissu. (5)
- 6 - Appuyez sur le bouton de déverrouillage de la voilure (6)-1 et tirez la voilure par la fente du tissu. (6)-2 Répétez sur le côté opposé.







Dream Drape™

- 1 - Ouvrez la fermeture à glissière derrière la courbure avant de la voilure. (7)
 - 2 - Sortez le dream drape™ du compartiment. (8)
- Fixez le dream drape™ aux aimants sur chaque coin à l'avant du siège bébé.

Coussin de siège

- 1 - Ouvrez les boutons-pression des deux côtés du siège. (9)
- 2 - Appuyez sur le bouton rouge pour détacher la boucle. Retirez le support corporel.
- 3 - Retirez le coussin de siège. (10)

Problèmes liés à l'installation

-  N'installez PAS ce siège bébé sur des sièges de véhicule avec une ceinture de sécurité 2 points à enrouleur avec la base. (11)
-  Ce siège bébé est adapté aux sièges de véhicule avec une ceinture de sécurité 3 points à enrouleur avec la base (12) ou des points d'ancrage ISOFIX AVEC la base. (13)
-  NE PLACEZ PAS le siège bébé dos à la route sur un siège avant avec un airbag. Ceci créerait des risques de blessures ou de mort. (14) Veuillez vous reporter au manuel de l'utilisateur du véhicule pour plus d'informations.
-  N'installez PAS ce siège bébé sur des sièges de véhicule tournés sur le côté ou vers l'arrière en fonction de la direction de déplacement du véhicule. (15)
-  Il est recommandé d'installer ce siège de bébé sur le siège arrière du véhicule. (16)
-  N'installez PAS ce siège bébé sur des sièges de véhicule instables lors de l'installation.

Ajustement de la poignée

- 1 - La poignée du siège bébé peut être réglée sur 3 positions. (17)
- 2 - Pour ajuster la position de la poignée, appuyez sur les boutons de réglage de la poignée sur les deux côtés. (18)-1 Faites pivoter la poignée jusqu'à ce qu'elle s'enclenche sur une des 3 positions. La poignée peut être utilisée dans le véhicule en position verrouillée. (18)-2

! Assurez-vous que la poignée est verrouillée en position de transport avant de soulever le siège bébé par la poignée. Une poignée déverrouillée peut bouger de manière inattendue, causant des blessures à l'enfant. La poignée NE DOIT PAS être en contact avec l'intérieur du véhicule (côté de la voiture ou siège devant) lorsque l'installation est effectuée.

Coussin du harnais d'épaules

Les coussins du harnais pour épaules sont amovibles. Détachez le bouton-pression pour enlever les coussins du harnais d'épaules. (19)

Coussinet d'entrejambe

- 1 - Ouvrez la boucle du harnais et localisez la sangle du coussinet d'entrejambe. (20)
- 2 - Maintenez la patte à l'extrémité de la sangle du coussinet d'entrejambe à plat contre la sangle puis faites passer la sangle du coussinet d'entrejambe par l'avant de la boucle. (21)

- 3 - Enlevez le coussinet d'entrejambe de la boucle. (22)

Support de tête et corporel

Les supports de tête et corporel peuvent être utilisés si nécessaire; pour assurer un bon ajustement pour les petits bébés.

! Les sangles du support de tête ne peuvent pas passer par les mêmes fentes que le harnais et doivent uniquement être utilisés dans les deux positions supérieures des fentes du harnais.

- 1 - Pour retirer le support de tête, détachez les extrémités en velcro derrière le tissu du siège. (23)
 - 2 - Puis tirez les sangles du support de tête par les fentes du harnais. (24)
- !** Veuillez continuer à utiliser le support de tête pendant l'utilisation de ce produit.
- 3 - Pour retirer le support corporel, ouvrez la boucle du harnais et faites passer la boucle et la ceinture d'entrejambe par la fente inférieure du support corporel. (25)
 - 4 - La mousse à l'intérieur du support corporel est présente pour garantir que le harnais s'adapte à l'enfant de manière appropriée. Le support corporel doit être utilisé pour les enfants de 0 à 6 mois. (26)
 - 5 - Pour retirer le coussin pour faible poids à la naissance, ouvrez la fermeture velcro à l'arrière du support corporel et retirez le coussin. (27)

Ceintures d'épaules

- 1 - Serrez le harnais pour qu'il soit bien ajusté sur les épaules de l'enfant. Il est bien ajusté si vous ne pouvez pas pincer un pli dans la sangle. **(28)**
 - 2 - Les sangles du harnais doivent être sur ou juste en-dessous des épaules. **(29)**
 - 3 - Pour régler la hauteur du harnais d'épaules, sortez l'enfant et desserrez le harnais en appuyant sur le bouton de réglage du harnais **(30)-1** tout en tirant sur la sangle du harnais **(30)-2**. Le bouton de réglage du harnais se situe à l'intérieur de la fente sur le coussin de siège.
 - 4 - Ouvrez la boucle. Retirez les extrémités desserrées des boucles du harnais par les fentes et placez-les dans la fente correcte. **(31)**
- ⚠** NE LAISSEZ PAS le harnais passer au-dessus des barres. Répétez le processus pour la deuxième sangle du harnais pour épaules.

Utilisation du produit

Attacher un enfant dans le siège bébé

- 1 - Placez l'enfant dans le siège bébé en position assise. **(32)**
- 2 - L'enfant doit être assis contre le dossier et l'assise du siège sans espace derrière l'enfant. NE LAISSEZ PAS l'enfant s'affaler. **(33)**

Guidez délicatement les bras de l'enfant dans les boucles du harnais.

- 3 - Placez l'enfant dans le siège de bébé et verrouillez la boucle. **(34)(35)(36)(37)**
- 4 - Serrez le harnais en tirant sur la sangle de réglage. Tirez les sangles du harnais en excès à travers la boucle dans la direction de l'épaule de l'enfant et tirez sur la sangle de réglage. Il faudra peut-être répéter cette étape plusieurs fois pour un ajustement approprié. **(37)**

Vérifiez que le harnais est bien ajusté autour de la taille et des épaules de l'enfant.

- ⚠** Les sangles du harnais doivent être sur ou juste en-dessous des épaules de l'enfant pour éviter les blessures. Si les fentes du harnais doivent être déplacées, consultez la section Ceintures d'épaules.
- ⚠** Assurez-vous que rien n'interfère avec le harnais. Assurez-vous que le harnais est bien ajusté autour de l'enfant et repose à plat. Des blessures graves ou la mort peuvent survenir à un enfant qui n'est pas attaché correctement.
- ⚠** Si l'enfant n'est pas attaché correctement, l'enfant peut être éjecté en cas d'arrêt brusque ou d'accident, entraînant des blessures graves ou la mort.

Vérifier que l'enfant est en sécurité

- La boucle est fermée.
- Les sangles du harnais ne sont pas entortillées.
- Le harnais est bien ajusté : un harnais bien ajusté ne peut pas être pincé et ne doit pas laisser de mou.

Installation

⚠ AVERTISSEMENT Des blessures graves ou la mort peuvent survenir. Le siège seul ne peut pas être installé dans le véhicule. Il doit être installé avec la base. **(38)**

Installation de la base avec ISOFIX (Fixations inférieures)

- 1 - Dépliez le piètement de charge. **(39)**
- 2 - Ajustez les guides ISOFIX sur les points d'ancrage ISOFIX. **(40)** Les guides ISOFIX peuvent protéger la surface du siège du véhicule contre les déchirements. Ils peuvent aussi guider les connecteurs ISOFIX.
- 3 - Faites tourner les connecteurs ISOFIX à 180 degrés jusqu'à ce qu'ils pointent dans la direction des guides ISOFIX. **(41)**
- 4 - Alignez les connecteurs avec les points d'ancrage ISOFIX, puis insérez les deux connecteurs ISOFIX dans les points d'ancrage ISOFIX. **(42)**

⚠ Vérifiez que les deux connecteurs ISOFIX sont bien attachés aux points d'ancrage ISOFIX. Vous devriez entendre deux clics audibles, et les indicateurs des deux connecteurs ISOFIX doivent être complètement verts. **(43)**

⚠ Vérifiez que la base est bien installée en tirant sur les deux connecteurs ISOFIX.

5 - Après avoir placé la base sur le siège du véhicule, étendez le piètement de charge jusqu'au sol. Si l'indicateur de piètement de charge est vert, cela signifie qu'il est installé correctement. L'indicateur rouge signifie qu'il est installé incorrectement. **(44)**

⚠ Le piètement de charge propose 12 positions. Lorsque l'indicateur de piètement de charge est rouge, cela signifie que le piètement de charge est dans une mauvaise position.

⚠ Assurez-vous que le piètement de charge est bien fixé en appuyant sur l'avant de la base.

⚠ Pour raccourcir le piètement de charge, appuyez sur le bouton de déverrouillage du piètement de charge et tirez le piètement de charge vers le haut. **(44)**

La base complètement assemblée est illustrée en **(45)**

⚠ Les connecteurs ISOFIX doivent être attachés et verrouillés sur les points d'ancrage ISOFIX. **(45)-1**

⚠ Le piètement de charge doit être installé correctement avec l'indicateur vert. **(45)-2**

Vérification de l'installation

- La base ne doit pas se déplacer latéralement ou vers l'avant de plus de 1" au passage de la ceinture.

Fixation du siège bébé à la base

- 1 - Une fois l'enfant bien attaché dans le siège bébé, appuyez le dispositif de retenue sur la base jusqu'à ce que vous entendiez un déclic. Tirez sur le siège bébé pour vérifier l'installation. (46)
- ⚠ NE LAISSEZ PAS le siège auto en contact avec l'intérieur du véhicule (côté de la voiture ou siège devant) lorsqu'il est installé sur la base.
- 2 - Pour déverrouiller le siège bébé, appuyez sur le bouton de déverrouillage du siège (47)-1 situé sur la base puis tirez le siège auto vers le haut. (47)-2
- 3 - Pour retirer la base, appuyez d'abord sur la base vers le siège du véhicule en appliquant une légère force. (48)
- 4 - Tout en appuyant sur la base vers le siège du véhicule, appuyez sur les boutons de déverrouillage du LOQUET rigide secondaire (49)-1 et primaire (49)-2. Pour faciliter le déverrouillage, appuyez d'abord sur le bouton secondaire, puis sur le bouton primaire.
- 5 - Appuyez sur le bouton de déverrouillage ISOFIX pour plier l'ISOFIX. (50)

Installation avec ceinture à 3 points

- 1 - Ouvrez la pince d'arrêt de la ceinture du véhicule et acheminez la ceinture de sécurité du véhicule dans le passage de la ceinture. (51)
- 2 - Bouclez la ceinture du véhicule. La ceinture d'épaules ET la ceinture abdominale doivent être sous la pince d'arrêt bleue et les ceintures doivent reposer à plat. (52)
- 3 - Tout en appuyant la base dans le siège du véhicule (53)-1, serrez la ceinture du véhicule en tirant dans le sens axial du passage de la ceinture (53)-2, en laissant les deux ceintures reposer à plat dans la pince d'arrêt.
- 4 - Tandis que la ceinture d'épaules est serrée, accrochez la partie inférieure de la pince d'arrêt bleue et appuyez pour fermer la pince d'arrêt sur la ceinture d'épaules et la ceinture abdominale. (54)

La base installée est illustrée en (55)

- ⚠ Veuillez vous assurer qu'il n'y a pas d'espace entre le siège du véhicule et le bas de la base.
- ⚠ La ceinture de sécurité doit passer en dessous de la pince d'arrêt, et non au-dessus. (55)-1
- ⚠ La ceinture de sécurité doit être verrouillée dans la boucle. (55)-2
- ⚠ Le piètement de charge doit être installé correctement avec l'indicateur vert. (55)-3
- ⚠ Le dispositif de retenue pour enfants ne peut

pas être utilisé si la boucle de ceinture de sécurité du véhicule (extrémité femelle de la boucle) est trop longue pour fixer le dispositif de retenue pour enfants de façon sûre. **(55)-4**

- 5** - Une fois l'enfant bien attaché dans le siège bébé, appuyez le dispositif de retenue sur la base jusqu'à ce que vous entendiez un déclic. Tirez sur le siège bébé pour vérifier l'installation. **(56)**
- !** **NE LAISSEZ PAS** le siège auto en contact avec la porte du véhicule ou le siège devant.
- 6** - Pour déverrouiller le dispositif de retenue, tirez le siège bébé vers le haut **(57)-1** tout en appuyant sur le bouton de déverrouillage du siège bébé situé sur la base. **(57)-2**
- 7** - Pour retirer la base, soulevez la pince d'arrêt. **(58)**
- 8** - Ouvrez la boucle de la ceinture du véhicule et enlevez la ceinture d'épaules et la ceinture abdominale de la base. **(59)**

Puis enlevez la base.

Installation sur une poussette

Ce siège bébé peut être fixé aux poussettes Nuna à l'aide d'adaptateurs. Des instructions sont incluses avec les adaptateurs, qui sont vendus séparément.

Ce siège bébé peut également être fixé à d'autres marques de poussettes à l'aide d'adaptateurs. Veuillez vous rendre sur le site nuna.eu pour plus d'informations.

Nettoyage et maintenance

Votre siège bébé est un équipement de valeur et mérite votre plus grand soin.

Pour des raisons de sécurité, n'utilisez que les pièces Nuna d'origine.

Consultez l'étiquette d'entretien attachée aux pièces souples pour obtenir les instructions de lavage et de séchage.

Utilisez uniquement un détergent doux, de l'eau et un chiffon doux pour nettoyer la coque, la poignée et les sangles du harnais du siège bébé. Air sec.

Pour nettoyer la boucle : rincez à l'eau chaude. **N'UTILISEZ PAS** de savon, de solvant ni de lubrifiant. Le fait d'utiliser autre chose que de l'eau peut entraîner un dysfonctionnement de la boucle. Air sec.

Retirez le siège bébé du siège du véhicule si vous n'allez pas l'utiliser pendant une longue période. Placez le siège bébé dans un lieu frais et sec, hors de portée des enfants.

La coloration du tissu exposé au soleil est normale, tout comme les signes d'usure et de déchirement après une longue période d'utilisation, même normale.

Vérifiez régulièrement si tout fonctionne correctement. Si des éléments sont déchirés, cassés ou manquants, arrêtez d'utiliser ce produit.

©2018 Nuna International B.V. Nuna et tous les logos associés sont des marques commerciales

**WICHTIG!
BEWAHREN
SIE DIESE
ANWEISUNGEN
ZUM KÜNFTIGEN
NACHSCHLAGEN
AUF!
SORGFÄLTIG LESEN**

Inhalt

Produktdaten	
Produktregistrierung	80
Garantie	80
Kontakt	80
Anforderungen an die Nutzung mit Kind	81
Für Verwendung mit der Basis	82
Warnhinweise	82
Teileliste des Kinderrückhaltesystems	88
Teileliste der Basis	90
Produktübersicht	92
Produkt verwenden	96
Installation	98
Reinigung und Wartung	103

Produktdaten

Modellnummer: _____

Fertigungsdatum: _____

Produktregistrierung

Alle Produkte verfügen über ein Serientikett, das Produktmodellnummer und Seriennummer angibt. Dieses Etikett befindet sich an der Basis. Bitte halten Sie diese Nummern vor Kontaktaufnahme mit dem Kundendienst bereit.

Bitte registrieren Sie Ihr Produkt unter:

www.nuna.eu/register-gear

Garantie

Wir haben unsere hochwertigen Produkte so entwickelt, dass Sie mit Ihrem Kind und Ihrer Familie wachsen. Da wir uns durch unsere Produkte hervorheben, ist unser Sortiment je nach Produkt durch eine angepasste Garantie ab Kaufdatum abgedeckt. Bitte halten Sie bei Kontaktaufnahme mit uns Kaufbeleg, Modellnummer und Fertigungsdatum bereit.

Garantieinformationen finden Sie unter:

www.nuna.eu/warranty

Kontakt

Wenden Sie sich für Ersatzteile, Service und weitere Garantiefragen an unseren Kundendienst.

info@nuna.eu

www.nuna.eu

Anforderungen an die Nutzung mit Kind

Dieses Produkt eignet sich für Kinder, die folgende Anforderungen erfüllen:

Gewichtsgruppe: 0+

Gewicht: Kinder mit einem Gewicht von unter 13 kg (etwa bis 1,5 Jahre)

Für Verwendung mit der Basis

Das Kinderrückhaltesystem mit Basis ist ein Semi-Universal-Kinderrückhaltesystem der Klasse und sollte über einen 3-Punkt-Gurt gemäß UN-ECE-16 Richtlinie oder ISOFIX-Verbindungen befestigt werden.

Installation mittels 3-Punkt-Gurt

Es passt in Fahrzeuge mit 3-Punkt-Sicherheitsgurt mit Retraktor. Sitzpositionen in anderen Fahrzeugen können ebenfalls zur Aufnahme dieses Kinderrückhaltesystems geeignet sein. Bitte wenden Sie sich im Zweifelsfall an den Hersteller oder Händler des Kinderrückhaltesystems.

Installation mit ISOFIX-System

Dies ist ein ISOFIX-Kinderrückhaltesystem. Es ist gemäß Regelung Nr. 44/04 in der aktuellen Fassung zur allgemeinen Nutzung in Fahrzeugen mit ISOFIX-Verankerungssystemen zugelassen.

Es passt in Fahrzeuge mit Positionen gemäß ISOFIX-Vorgaben (siehe Fahrzeughandbuch); je nach Kategorie des Kinderrückhaltesystems und der Befestigung. Bitte wenden Sie sich im Zweifelsfall an den Hersteller des Kinderrückhaltesystems bzw. an den Fahrzeughersteller.

ISOFIX-Größenklasse, für die dieses Produkt vorgesehen ist: C und D.

WARNHINWEISE

Sichern Sie Ihr Kind immer im Kinderrückhaltesystem, selbst auch kurzen Fahrten, da gerade hier die meisten Unfälle passieren.

Die Gurte, die das Rückhaltesystem im Fahrzeug sichern, müssen richtig befestigt sind; die Gurte, die das Kind halten, müssen an den Körper des Kindes angepasst und dürfen nicht verdreht sein.

Nachdem Sie Ihr Kind in dieses Rückhaltesystem für Kleinkinder gesetzt haben, muss der Sicherheitsgurt für Ihr Kind sachgemäß angelegt werden, und es muss gewährleistet sein, dass der Schrittgurt so tief wie möglich angelegt ist, damit das Becken sicher gehalten wird.

Achten Sie darauf, dass das Kinderrückhaltesystem so installiert ist, dass kein Teil bewegliche Sitzen oder Fahrzeugaufbauten beeinträchtigt.

Achten Sie darauf, dass das Kind mit dem Sicherheitsgurt gesichert und der Griff richtig in vertikaler Position verriegelt ist, bevor Sie das Kinderrückhaltesitz von Hand tragen.

Wenden Sie sich bei Anliegen bezüglich Wartung, Reparatur und Austausch an Ihren Händler.

Prüfen Sie die ISOFIX-Führungen regelmäßig auf Schmutz und reinigen Sie sie bei Bedarf. Die Zuverlässigkeit des Systems kann durch Eindringen von Schmutz, Staub, Lebensmittelresten usw. beeinträchtigt werden.

KEIN Kinderrückhaltesystem kann vollständigen Schutz vor Verletzungen bei einem Unfall garantieren. Dennoch reduziert der ordnungsgemäße Einsatz dieses Kinderrückhaltesystems die Gefahr ernsthafter oder tödlicher Verletzungen Ihres Kindes.

Bitte platzieren Sie dieses Kinderrückhaltesystem nicht im direkten Sonnenlicht; andernfalls kann es zu heiß für die Haut Ihres Kindes werden. Berühren Sie den Sitz lieber immer, bevor Sie das Kind hineinsetzen.

Entfernen Sie Kinderrückhaltesystem und Basis vom Fahrzeugsitz, wenn sie nicht regelmäßig benutzt werden.

Dieses Kinderrückhaltesystem ist NUR für Kinder mit einem Gewicht von weniger als 13 kg ausgelegt.

Die Textilteile dürfen ausschließlich durch vom Hersteller empfohlene Artikel ersetzt werden.

Die Textilteile sind integraler Bestandteil der Funktionsweise des Kinderrückhaltesystems.

Sichern Sie das Kind immer mit dem Sicherheitsgurt, wenn Sie es in das Kinderrückhaltesystem setzen, selbst wenn sich das Kinderrückhaltesystem nicht im Fahrzeug befindet. Dadurch verhindern Sie, dass es herausfällt.

Vermeiden Sie ernsthafte oder sogar tödliche Verletzungen, indem Sie das Kinderrückhaltesystem NIEMALS mit Kind auf eine erhöhte Position stellen.

Die Teile dieses Kinderrückhaltesystems sollten in keiner Weise geschmiert werden.

Geben Sie nichts außer den empfohlenen Polstern in dieses Kinderrückhaltesystem.

Verwenden Sie dieses Kinderrückhaltesystem nicht weiter, wenn es in irgendeine Art von Unfall involviert wurde, selbst wenn es nur ein kleiner Unfall war. Ersetzen Sie es sofort, da es durch den Unfall möglicherweise unsichtbare strukturelle Schäden aufweist.

Verwenden oder installieren Sie dieses Kinderrückhaltesystem nicht, bevor Sie die Anweisungen in dieser Anleitung und dem Fahrzeughandbuch gelesen und verstanden haben.

Nehmen Sie keine Änderungen oder Ergänzungen an Kinderrückhaltesystem oder Basis vor.

Verwenden Sie keine von anderen Herstellern stammenden Zubehörartikel oder Teile. Die Funktion des Kinderrückhaltesystems könnte sich ändern, was ernsthafte oder sogar tödliche Verletzungen zur Folge haben kann.

Verwenden Sie dieses Kinderrückhaltesystem nicht, falls es beschädigt ist oder Teile fehlen.

Ziehen Sie Ihrem Kind beim Einsatz dieses Kinderrückhaltesystems im Fahrtrichtung-Modus keine übergroßen Kleidungsstücke an; andernfalls kann Ihr Kind nicht ordnungsgemäß und zuverlässig über die Schultergurte und zwischen den Oberschenkeln gesichert werden.

Führen Sie keine Modifikationen an diesem Kinderrückhaltesystem durch; verwenden Sie es NICHT in Verbindung mit Teilen von anderen Herstellern.

Transportieren Sie dieses Kinderrückhaltesystem oder andere Gegenstände nicht unangegurtet bzw. ungesichert in Ihrem Fahrzeug, da ungesicherte Gegenstände bei scharfen Kurven, plötzlichem Abbremsen oder einer Kollision umhergeschleudert werden und Insassen verletzen könnten.

Installieren Sie ein entgegen der Fahrtrichtung ausgerichtetes Kinderrückhaltesystem nicht auf einem Vordersitz mit Airbag. Andernfalls drohen schwere oder sogar tödliche Verletzungen.

Weitere Informationen entnehmen Sie bitte dem Fahrzeughandbuch.

Verwenden Sie dieses Kinderrückhaltesystem nicht ohne die Textilteile.

Verwenden Sie nur die in der Anleitung beschriebenen und am Rückhaltesystem für Kleinkinder markierten belastbaren Kontaktpunkte.

Platzieren Sie keine Gegenstände im Standbeinbereich vor Ihrer Basis.

Lassen Sie Ihr Kind niemals unbeaufsichtigt in diesem Kinderrückhaltesystem zurück.

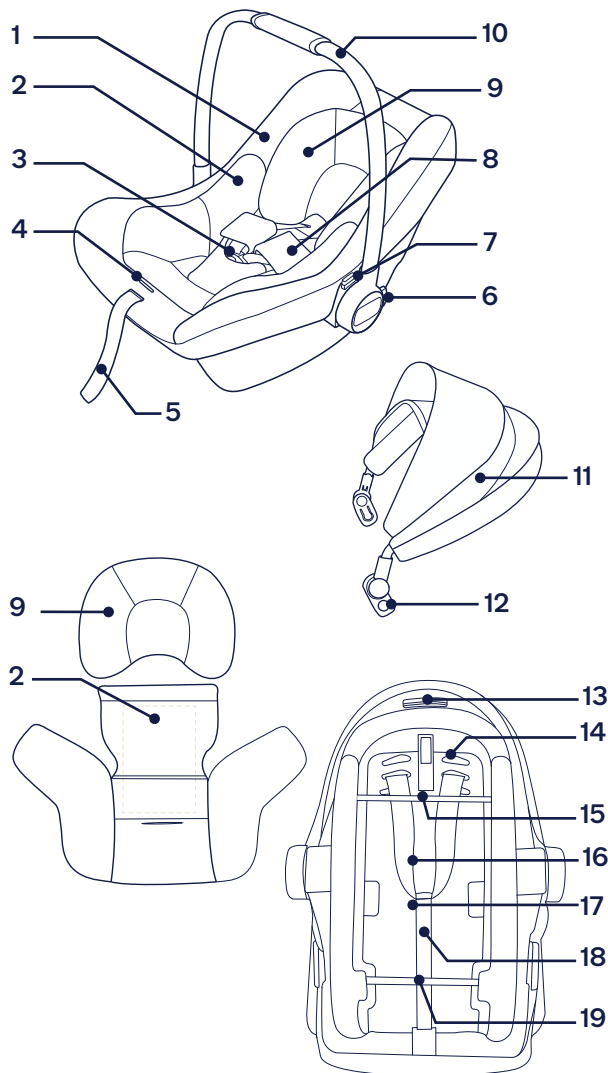
Verwenden Sie niemals ein gebrauchtes Kinderrückhaltesystem oder ein Kinderrückhaltesystem, dessen Vergangenheit Sie nicht kennen; möglicherweise weist es strukturelle Schäden auf, die Ihr Kind gefährden können.

Verwenden Sie niemals Seile oder andere Ersatzmittel, um das Kinderrückhaltesystem im Auto oder das Kind im Kinderrückhaltesystem zu sichern. Sichern Sie das Kinderrückhaltesystem nur mit dem Fahrzeuggurt im Fahrzeug.

Teileliste des Kinderrückhaltesystems

Überprüfen Sie vor der Montage, ob alle Teile vorhanden sind. Wenden Sie sich an Nuna, falls etwas fehlen sollte (Informationen finden Sie auf Seite 78). Für die Montage werden keine Werkzeuge benötigt.

- | | |
|----------------------------------|-----------------------------|
| 1 Sitzauflage | 11 Verdeck |
| 2 Körperstütze (x2) | 12 Verdeckfreigabeknopf |
| 3 Verschluss- und Schrittpolster | 13 Kinderwagenfreigabeknopf |
| 4 Gurtverstellknopf | 14 Gurtschlitze |
| 5 Gurtverstellriemen | 15 Basisbefestigungsstange |
| 6 Griffstellknopf | 16 Gurte |
| 7 Kinderwagenfreigabeknopf* | 17 Schultergurtschlaufen |
| 8 Schultergurtpolster | 18 Platte |
| 9 Kopfstütze (x2) | 19 Basisbefestigungsstange |
| 10 Griff | |

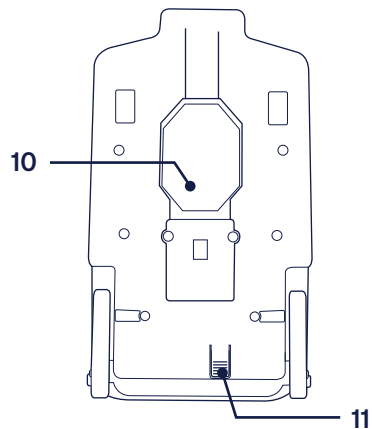
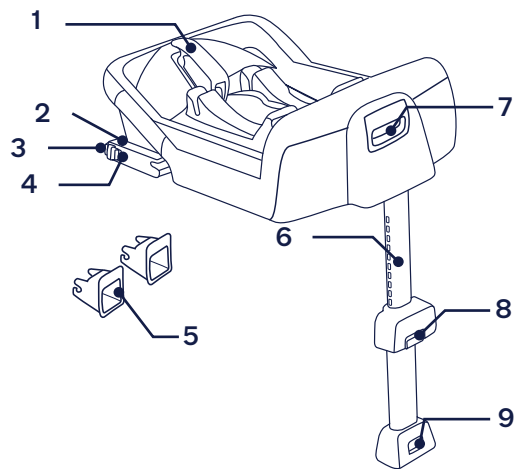


*wird nur für Autositzadapter für Kleinkinder verwendet

Teilleiste der Basis

Überprüfen Sie vor der Montage, ob alle Teile vorhanden sind. Wenden Sie sich an Nuna, falls etwas fehlen sollte (Informationen finden Sie auf Seite 78). Für die Montage werden keine Werkzeuge benötigt.

- 1 Verriegelung des Fahrzeuggurts
- 2 Starrer Riegel (untere Befestigungen)
- 3 Sekundärer Freigabeknopf für starren Riegel
- 4 Primärer Freigabeknopf für starren Riegel
- 5 Führungen für starren Riegel
- 6 Stützbein
- 7 Babyschalen-freigabeknopf
- 8 Standbeineinstellknopf
- 9 Standbeinanzeige
- 10 Fach für Gebrauchsanweisung
- 11 ISOFIX-Freigabeknopf



Produktübersicht

Verdeck

- 1 - Montieren Sie das Verdeck, indem Sie die Verdeckhalterungen zur Anbringung am Sitz in die Textilschlitze drücken. **(1)** Ein Klickgeräusch zeigt an, dass die Verdeckhalterungen vollständig eingerastet ist. **(2)**
- 2 - Befestigen Sie den Klettverschluss an der Rückseite von Verdeck und Sitz. **(3)**
- 3 - Bringen Sie das Verdeck an beiden Seiten an der Verdeckhalterung an. **(4)**
- 4 - Öffnen Sie das Verdeck, indem Sie das Verdeck zur Vorderseite des Sitzes ziehen; drücken Sie es zum Schließen nach hinten.
- 5 - Entfernen Sie das Verdeck, indem Sie Schritt 1 in umgekehrter Reihenfolge befolgen. Öffnen Sie dann die Druckknöpfe, die das Sitzpolster an der Schale befestigen, und entfernen Sie es. **(5)**
- 6 - Drücken Sie den Verdeckfreigabeknopf **(6)-1** und ziehen Sie das Verdeck durch den Stoffschlit. **(6)-2** Auf der anderen Seite wiederholen.







Dream Drape™

- 1 - Öffnen Sie den Reißverschluss hinter dem vorderen Verdeckbogen. **(7)**
- 2 - Ziehen Sie das dream drape™ aus dem Fach. **(8)**
Bringen Sie das dream drape™ an den Magneten an jeder Ecke an der Vorderseite der Schale an.

Sitzauflage


- 1 - Öffnen Sie die Druckknöpfe auf beiden Seiten des Sitzes. **(9)**
- 2 - Drücken Sie zum Lösen des Verschlusses die rote Taste. Entfernen Sie die Körperstütze.
- 3 - Entfernen Sie das Sitzpolster. **(10)**

Hinweise zur Installation

-  Installieren Sie dieses Kinderrückhaltesystem NICHT auf Fahrzeugsitzen mit 2-Punkt-Sicherheitsgurt mit Retraktor. **(11)**
-  Dieses Kinderrückhaltesystem ist für Fahrzeugsitze mit einem 3-Punkt-Sicherheitsgurt mit Retraktor **(12)** oder mit ISOFIX-Verankerungspunkten vorgesehen. In beiden Fällen ist die Basis zu verwenden. **(13)**
-  Installieren Sie ein entgegen der Fahrtrichtung ausgerichtetes Kinderrückhaltesystem NICHT auf einem Vordersitz mit Airbag. Andernfalls drohen schwere oder sogar tödliche Verletzungen. **(14)** Weitere Informationen entnehmen Sie bitte dem Fahrzeughandbuch.
-  Befestigen Sie dieses Rückhaltesystem für Kleinkinder NICHT an Fahrzeugsitzen, die in Bezug auf die Fahrtrichtung zur Seite oder nach hinten weisen. **(15)**
-  Sie sollten dieses Kinderrückhaltesystem auf dem Rücksitz installieren. **(16)**
-  Installieren Sie dieses Kinderrückhaltesystem NICHT auf Fahrzeugsitzen, die sich während der Installation bewegen.

Griffeinstellung

- 1 - Der Griff der Babyschale kann auf 3 Positionen eingestellt werden. (17)
- 2 - Passen Sie die Griffposition an, indem Sie die Griffeinstellknöpfe an beiden Seiten drücken. (18)-1 Drehen Sie den Griff, bis er in einer der 3 Positionen einrastet. Der Griff kann im Fahrzeug in jeder verriegelten Position verwendet werden. (18)-2

 Achten Sie darauf, dass der Griff in der Trageposition verriegelt ist, bevor Sie das Kinderrückhaltesystem am Griff anheben. Ein entriegelter Griff könnte sich unerwartet bewegen und Verletzungen des Kindes verursachen. Der Griff darf bei Montage nicht den Fahrzeuginnenraum (Seite des Fahrzeugs oder Vordersitz) berühren.

Schultergurtpolster

Die Schultergurtpolster können entfernt werden. Lösen Sie den Schnappverschluss, um das Polster des Schultergurts zu entfernen. (19)



Schrittpolster

- 1 - Lösen Sie den Gurt und machen Sie das Schrittpolstergurt ausfindig. (20)
- 2 - Halten Sie den Riegel am Ende des Schrittpolstergurts flach an den Gurt und führen Sie dann den Schrittpolstergurt durch die Vorderseite des Verschlusses. (21)


- 3 - Ziehen Sie das Schrittpolster vom Verschluss ab. (22)

Kopf- und Körperstütze

Bei Bedarf können die Kopf- und Körperstützen verwendet werden, damit kleine Babys noch besseren Halt haben.

-  Die Gurte der Kopfstütze lassen sich nicht durch dieselben Schlitze wie der Gurt führen und sollten nur in den beiden oberen Gurtschlitzpositionen verwendet werden.
- 1 - Entfernen Sie die Kopfstütze, indem Sie die Klettverschlüssen hinter dem Sitzbezug öffnen. (23)
 - 2 - Ziehen Sie dann die Gurte der Kopfstütze durch die Gurtschlitze. (24)
-  Bitte verwenden Sie die Kopfstütze bei Einsatz dieses Produktes.
- 3 - Entfernen Sie die Körperstütze, indem Sie den Gurt lösen und Verschluss und Schrittgurt durch den unteren Schlitz der Körperstütze führen. (25)
 - 4 - Der Schaumstoff in der Körperstütze soll sicherstellen, dass der Gurt das Kind sicher hält. Die Körperstütze darf nur bei Kinder von 0 bis 6 Monaten verwendet werden. (26)
 - 5 - Entfernen Sie das Polster für besonders zarte Neugeborene, indem Sie den Klettverschluss an der Rückseite der Körperstütze öffnen und das Polster herausziehen. (27)

Schultergurte




- 1 - Straffen Sie den Gurt, damit er eng an den Schultern des Kindes anliegt. Er liegt dann eng an, wenn Sie keine Falte in den Gurt drücken können. **(28)**
 - 2 - Die Gurte müssen sich auf oder knapp unter Schulterhöhe befinden. **(29)**
 - 3 - Passen Sie die Höhe der Schultergurte an, indem Sie das Kind herausnehmen und den Gurt lockern. Drücken Sie dazu den Gurteinstellknopf **(30)-1**, während Sie am Gurt **(30)-2** ziehen. Der Gurteinstellknopf befindet sich im Schlitz am Sitzpolster.
 - 4 - Verschluss öffnen. Ziehen Sie die lockeren Enden der Gurtschleufe durch die Schlitze heraus und platzieren Sie sie im richtigen Schlitz. **(31)**
-  Achten Sie darauf, dass der Gurt nicht über Stangen verläuft. Wiederholen Sie die Schritte beim zweiten Schultergurt.

Produkt verwenden

Kind im Kinderrückhaltesystem sichern

- 1 - Platzieren Sie das Kind im Kinderrückhaltesystem in Sitzposition. **(32)**
 - 2 - Das Kind sollte direkten Kontakt mit Rück- und Unterseite des Sitzes haben. Achten Sie darauf, dass keine Lücken bestehen. **(33)**
- Führen Sie die Arme des Kindes vorsichtig durch die Gurtschlaufen.

- 3 - Setzen Sie das Kind in das Kinderrückhaltesystem, schließen Sie die Schnalle. **(34)(35)(36)(37)**
 - 4 - Straffen Sie den Gurt, indem Sie am Einstellriemen ziehen. Ziehen Sie überschüssiges Gurtzeug durch die Schnalle in Richtung Schulter des Kindes und ziehen Sie am Einstellriemen. Dies muss möglicherweise mehrmals wiederholt werden. **(37)**
- Stellen Sie sicher, dass der Gurt an Taille und Schultern des Kindes eng anliegt.

-  Die Gurte müssen sich zur Vermeidung von Verletzungen auf oder knapp unter Schulterhöhe befinden. Falls die Gurtschlitze verschoben werden müssen, beachten Sie den Abschnitt Schultergurte.
-  Achten Sie darauf, dass der Gurt nicht beeinträchtigt wird. Stellen Sie sicher, dass der Gurt eng anliegt und flach aufliegt. Bei einem nicht richtig gesicherten Kind kann es zu ernsthaften oder sogar tödlichen Verletzungen kommen.
-  Falls das Kind nicht richtig gesichert ist, könnte es bei plötzlichem Abbremsen oder einem Unfall herausgeschleudert werden und ernsthafte oder sogar tödliche Verletzungen erleiden.

Sicherung des Kindes prüfen

- Verschluss ist verriegelt.
- Gurte sind nicht verdreht.
- Gurt liegt eng an: Ein eng anliegender Gurt kann nicht zu einer Falte gedrückt werden. Er darf an keiner Stelle durchhängen.

Installation

⚠ Warnung Gefahr ernsthafter oder sogar tödlicher Verletzungen. Der Sitz allein kann nicht in einem Fahrzeug installiert werden. Er muss mit der Basis installiert werden. (38)

Basis mit ISOFIX befestigen (untere Befestigungen)

- 1 - Klappen Sie das Standbein aus. (39)
- 2 - Befestigen Sie die ISOFIX-Führungen an den ISOFIX-Verankerungspunkten. (40) Die ISOFIX-Führungen können die Oberfläche des Fahrzeugsitzes vor Verschleiß schützen. Sie sind auch eine Führung für die ISOFIX-Befestigungen.
- 3 - Drehen Sie die ISOFIX-Verbindungen um 180 Grad, bis sie in Richtung ISOFIX-Führungen zeigen. (41)
- 4 - Richten Sie die ISOFIX-Befestigungen mit den ISOFIX-Führungen aus und rasten Sie beide ISOFIX-Befestigungen in den ISOFIX-Verankerungspunkten ein. (42)

⚠ Achten Sie darauf, dass beide ISOFIX-Befestigungen gut an ihren ISOFIX-Verankerungspunkten befestigt sind. Sie sollten zwei Klickgeräusche hören und die Anzeigen an beiden ISOFIX-Verbindungen sollten vollständig grün sein. (43)

⚠ Vergewissern Sie sich, dass die Basis sachgemäß installiert ist, indem Sie an beiden ISOFIX-Befestigungen ziehen.

5 - Ziehen Sie das Standbein bis zum Boden aus, nachdem Sie die Basis auf dem Fahrzeugsitz platziert haben. Wenn die Anzeige des Standbeins grün wird, weist dies auf eine sachgemäße Installation hin. Rot zeigt an, dass die Installation nicht richtig ausgeführt wurde. (44)

⚠ Das Standbein hat 12 Positionen. Wenn die Standbeinanzeige rot ist, befindet sich das Standbein in der falschen Position.

⚠ Achten Sie darauf, dass das Standbein sicher ist, indem Sie die Vorderseite der Basis nach unten drücken.

⚠ Verkürzen Sie das Standbein, indem Sie den Standbeinfreigabeknopf drücken und das Standbein nach oben ziehen. (44)

Die vollständig montierte Basis wird in (45) gezeigt.

⚠ Die ISOFIX-Befestigungen müssen mit den ISOFIX-Verankerungspunkten verbunden und dort eingerastet sein. (45)-1


⚠ Das Standbein muss richtig installiert sein, was durch eine grüne Anzeige überprüft werden kann. (45)-2

Installation prüfen

- Die Basis sollte sich am Gurtpfad um nicht mehr als 2,54 (1") cm zur Seite oder nach vorne bewegen.

Kinderrückhaltesystem an Basis befestigen

- 1 - Nachdem das Kind richtig in der Babyschale gesichert ist, drücken Sie das Kinderrückhaltesystem so auf die Basis, dass es einrastet. Ziehen Sie zur Prüfung der Installation am Kinderrückhaltesystem. (46)






 Achten Sie darauf, dass das Kinderrückhaltesystem beim Montage auf der Basis nicht den Fahrzeuginnenraum (Seite des Fahrzeugs oder Vordersitz) berührt.

- 2 - Lösen Sie das Kinderrückhaltesystem, indem Sie den Babyschalenfreigabeknopf (47)-1 an der Basis drücken und dann das Kinderrückhaltesystem nach oben ziehen. (47)-2
- 3 - Drücken Sie die Basis zum Entfernen zunächst leicht Richtung Fahrzeugsitz. (48)
- 4 - Während Sie die Basis Richtung Fahrzeugsitz drücken, drücken Sie den sekundären (49)-1 und primären Freigabeknopf des starren Riegels (49)-2. Zum einfachen Lösen drücken Sie erst den sekundären, dann den primären Knopf.
- 5 - Drücken Sie zum Klappen des ISOFIX den ISOFIX-Freigabeknopf. (50)

Installation mit 3-Punkt-Gurt

- 1 - Öffnen Sie die Arretierung des Fahrzeuggurts und führen Sie den Fahrzeuggurt durch den Gurtpfad. (51)
- 2 - Stecken Sie die Schnalle des Fahrzeuggurts in das Gurtschloss. Schulter- UND Beckengurt müssen unter der blauen Verriegelung verlaufen und die Gurte müssen flach aufliegen. (52)
- 3 - Halten Sie die Basis auf den Fahrzeugsitz gedrückt (53)-1 und straffen Sie den Fahrzeuggurt, indem Sie gerade entlang des Gurtpfades (53)-2, ziehen und beide Gurte flach in der Verriegelung halten.
- 4 - Während der Schultergurt straff ist, haken Sie die Unterseite der blauen Verriegelung ein und drücken zur Befestigung der Verriegelung an Schulter- und Schrittgurt. (54)

Die installierte Basis wird in (55) gezeigt.

-  Bitte stellen Sie sicher, dass sich keine Lücke zwischen Fahrzeugsitz und Unterseite der Basis befindet.
-  Der Sicherheitsgurt muss unter der Verriegelung verlaufen, nicht darüber. (55)-1
-  Der Sicherheitsgurt muss im Schloss verriegelt werden. (55)-2
-  Das Standbein muss richtig installiert sein, was durch eine grüne Anzeige überprüft werden kann. (55)-3
-  Das Kinderrückhaltesystem kann nicht verwendet werden, wenn der Verschluss

(Gurtschloss) des Fahrzeugsicherheitsgurtes zu lang ist, um das Kinderrückhaltesystem fest zu verankern. **(55)-4**

- 5** - Nachdem das Kind richtig in der Babyschale gesichert ist, drücken Sie das Kinderrückhaltesystem so auf die Basis, dass es einrastet. Ziehen Sie zur Prüfung der Installation am Kinderrückhaltesystem. **(56)**
- !** Achten Sie darauf, dass das Kinderrückhaltesystem nicht die Fahrzeugtüre oder den Vordersitz berührt.
- 6** - Lösen Sie das Kinderrückhaltesystem, indem Sie die Babyschale nach oben ziehen **(57)-1**, während Sie den Babyschalenfreigabeknopf an der Basis gedrückt halten. **(57)-2**
- 7** - Entfernen Sie die Basis, indem Sie die Verriegelung hochziehen. **(58)**
- 8** - Lösen Sie den Sicherheitsgurt und entfernen Sie Schulter- und Beckengurt von der Basis. **(59)**

Entfernen Sie anschließend die Basis.

Installation an einem Kinderwagen

Diese Babyschale kann mit Adaptern an Nuna-Kinderwagen befestigt werden. Anweisungen sind im Lieferumfang der separat erhältlichen Adaptern enthalten.

Diese Babyschale kann mit Adaptern auch an Kinderwagen anderer Marken befestigt werden. Weitere Informationen finden Sie unter nuna.eu.

Reinigung und Wartung

Ihre Babyschale ist ein wertvoller Ausrüstungsgegenstand und verdient sorgfältige Handhabung.

Verwenden Sie aus Sicherheitsgründen nur Nuna-Originalteile.

Beachten Sie zum Waschen und Trocknen das Pflegeticket an den Textilteilen.

Reinigen Sie Babyschale, Griff und Gurte nur mit mildem Reiniger, Wasser und einem weichen Tuch. Anschließend an der Luft trocknen lassen.

Schnalle mit warmem Wasser abspülen. Keine Seifen, Lösungsmittel oder Schmiermittel verwenden. Der Einsatz anderer Mittel als Wasser kann Fehlfunktionen der Schnalle verursachen. Anschließend an der Luft trocknen lassen.

Entfernen Sie das Kinderrückhaltesystem vom Fahrzeugsitz, wenn es längere Zeit nicht verwendet wird. Bewahren Sie das Kinderrückhaltesystem an einem kühlen, trockenen Ort außerhalb der Reichweite des Kindes auf.

Es ist selbst bei gewöhnlichem Gebrauch normal, dass Textilien nach langer Benutzung durch Sonnenlicht verblassen und Verschleißerscheinungen aufweisen.

Prüfen Sie regelmäßig, ob alles richtig funktioniert. Verwenden Sie das Produkt nicht länger, falls Teile verschlissen oder beschädigt sind oder fehlen.

©2018 Nuna International B.V. Nuna und alle zugehörigen Logos sind Marken.

**IMPORTANTE!
CONSERVARE
PER FUTURE
CONSULTAZIONI!
LEGGERE
ATTENTAMENTE**

Indice

Informazioni sul prodotto	
Registrazione del prodotto	106
Garanzia	106
Recapito	106
Requisiti di utilizzo da parte del bambino	107
Uso con la base	108
Avvertenze	109
Elenco parti del seggiolino per auto	114
Elenco parti della base	116
Panoramica del prodotto	118
Uso del prodotto	122
Installazione	124
Pulizia e manutenzione	129

Informazioni sul prodotto

Numero modello: _____

Prodotto in (data): _____

Registrazione del prodotto

Tutti i prodotti comprendono un'etichetta di serie che elenca il numero del modello e il numero di serie. Questa etichetta si trova sulla base. Prima di contattare il servizio clienti, occorre avere sotto mano questi numeri per farvi riferimento.

Per registrare il prodotto, visitare il sito:

www.nuna.eu/register-gear

Garanzia

Abbiamo progettato appositamente i nostri prodotti di alta qualità in modo che crescano con il bambino e con la famiglia. Poiché crediamo nel nostro prodotto, i meccanismi sono coperti da una garanzia personalizzata per prodotto che comincia dal giorno dell'acquisto. Al momento di contattarci, sono necessari la prova d'acquisto, il numero di modello e la data di produzione.

Per informazioni sulla garanzia, visitare il sito:

www.nuna.eu/warranty

Recapito

Per la sostituzione di parti, manutenzione o domande sulla garanzia, contattare il dipartimento di assistenza al cliente.

info@nuna.eu

www.nuna.eu

Requisiti di utilizzo da parte del bambino

Questo prodotto è adatto per l'uso con bambini con i seguenti requisiti:

Gruppo di peso: 0+

Peso: Bambini al di sotto dei 13kg.
(circa 1,5 anni o meno)

Uso con la base

Il sistema di ritenuta per bambini con base è un “sistema semiuniversale” e deve essere montato con una cintura di sicurezza per adulti a 3 punti omologata UN ECE 16 o con attacchi ISOFIX.

Installazione con cintura a 3 punti

È adatto per veicoli dotati di cinture di sicurezza retrattili per adulti a 3 punti. Le posizioni del sedile in altre auto potrebbero consentire il posizionamento del sistema di ritenuta per bambini. In caso di dubbi, consultare il produttore o il distributore del sistema di ritenuta per bambini.

Installazione con sistema ISOFIX

È un SISTEMA DI RITENUTA PER BAMBINI ISOFIX. È omologato secondo la normativa 44, serie 04 di emendamenti, per l'uso generale nei veicoli dotati di sistemi di ancoraggio ISOFIX.

Possono essere montati su veicoli con posizioni omologate come posizioni ISOFIX (come specificato nel manuale del veicolo), a seconda della categoria del seggiolino e del dispositivo. In caso di dubbi, consultare il produttore del sistema di ritenuta per bambini o del veicolo.

La classe di dimensioni ISOFIX prevista è C e D.

AVVERTENZA

Fissare sempre il sistema di ritenuta per bambini, anche per tragitti brevi, poiché è durante questi ultimi che si verifica la maggior parte degli incidenti.

Le cinghie che fissano il sistema di ritenuta al veicolo devono essere strette, le cinghie del bambino devono essere adattate al suo corpo e non devono essere attorcigliate.

Dopo aver messo il bambino nel sistema di ritenuta, utilizzare correttamente la cintura di sicurezza e assicurarsi che la cinghia addominale sia indossata in basso in modo da sostenere il bacino.

Assicurarsi che il sistema di ritenuta per bambini sia installato in modo tale che nessun componente interferisca con i seggiolini mobili o con il funzionamento degli sportelli del veicolo.

Prima di trasportare a mano il sistema di ritenuta per bambini, assicurarsi che il bambino sia fissato con l'imbrigliatura di sicurezza e che l'impugnatura sia correttamente bloccata in posizione verticale.

Rivolgersi al rivenditore per problemi relativi a manutenzione, riparazione e sostituzione dei pezzi.

Controllare frequentemente la presenza di sporcizia nelle guide ISOFIX e pulirle se necessario. L'affidabilità può essere ridotta dalla penetrazione di sporcizia, polvere, residui di cibo, ecc.

NESSUN sistema di ritenuta per bambini è in grado di garantire una protezione completa da lesioni in caso di incidenti. Tuttavia, l'uso corretto del sistema di ritenuta per bambini riduce il rischio di lesioni gravi o mortali per il bambino.

Tenere il sistema di ritenuta per bambini lontano dalla luce del sole per evitare di causare ustioni alla pelle del bambino. Testare sempre il seggiolino prima di far sedere il bambino.

Rimuovere il sistema di ritenuta per bambini e la base dal sedile del veicolo se non vengono usati frequentemente.

Questo sistema di ritenuta per bambini è stato progettato SOLO per bambini fino a un massimo di 13 kg di peso.

Il rivestimento imbottito deve essere sostituito solo con altri consigliati dal produttore, in quanto costituisce parte integrante del sistema di ritenuta per bambini.

Per evitare il rischio di caduta, proteggere sempre il bambino con l'imbrigliatura di sicurezza quando il bambino viene posto nel sistema di ritenuta per bambini, anche quando il sistema di ritenuta non è presente nel veicolo.

Per evitare lesioni gravi o decesso, NON collocare il sistema di ritenuta per bambini su superfici elevate con il bambino all'interno.

I componenti del sistema di ritenuta per bambini non devono essere mai lubrificati.

NON utilizzare cuscini interni diversi da quelli consigliati per questo sistema di ritenuta per bambini.

NON continuare a utilizzare questo sistema di ritenuta per bambini dopo alcun incidente, anche di minore entità. Sostituirlo immediatamente in quanto potrebbe aver subito danni strutturali non visibili a seguito dell'incidente.

NON utilizzare o installare questo sistema di ritenuta per bambini prima di aver letto e compreso bene le istruzioni contenute nel presente manuale e nel libretto della vettura.

NON effettuare modifiche o aggiunte alle parti del sistema di ritenuta per bambini o alla base. Non utilizzare accessori o parti forniti da altri produttori. Il funzionamento del sistema di ritenuta per bambini potrebbe esserne alterato, comportando lesioni gravi o decesso.

NON utilizzare questo sistema di ritenuta per bambini se presenta danni o parti mancanti.

NON vestire il bambino con indumenti troppo grandi quando si utilizza il seggiolino, in quanto si potrebbe impedire al bambino di essere correttamente e saldamente allacciato con le bretelle e la cintura inguinale.

NON apportare modifiche a questo sistema di ritenuta per bambini e non utilizzarlo con componenti di altri produttori.

NON lasciare questo sistema di ritenuta per bambini o altri elementi non allacciati all'interno del veicolo in quanto possono essere sbalzati, con conseguenti lesioni per i passeggeri in una curva brusca, un arresto improvviso o un urto.

NON posizionare il sistema di ritenuta per bambini contro marcia sul sedile anteriore se sono presenti airbag. Potrebbero verificarsi lesioni gravi o il decesso.

Per ulteriori informazioni, fare riferimento al manuale del veicolo.

NON usare questo sistema di ritenuta per bambini senza il rivestimento imbottito.

Per il sostegno del carico, NON utilizzare punti di contatto diversi da quelli descritti nelle istruzioni e contrassegnati sul sistema di ritenuta per bambini.

NON collocare oggetti sulla superficie della base.

NON lasciare mai il bambino incustodito con questo sistema di ritenuta per bambini.

NON utilizzare un sistema di ritenuta per bambini di seconda mano o del quale non si conoscono i precedenti perché potrebbe avere danni strutturali che mettono in pericolo la sicurezza del bambino.

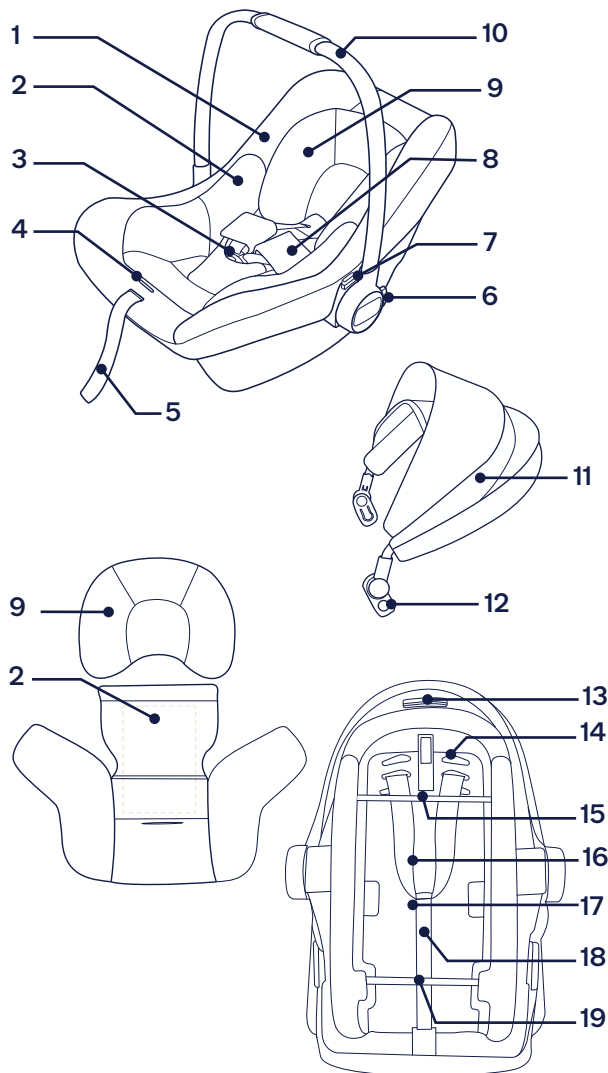
NON utilizzare MAI corde o simili per fissare il sistema di ritenuta per bambini nel veicolo o per bloccare il bambino nel sistema di ritenuta. Utilizzare solo le cinture del veicolo per fissare il sistema di ritenuta per bambini nel veicolo.

Elenco parti del seggiolino per auto

Assicurarsi che tutti i pezzi siano disponibili prima dell'assemblaggio. Se manca qualche pezzo, contattare Nuna (per informazioni, vedere pagina 104). Per l'assemblaggio non è necessario nessun attrezzo.

- | | | | |
|---|--|----|-------------------------------------|
| 1 | Imbottitura | 10 | Maniglia |
| 2 | Supporto corpo (x2) | 11 | Tettuccio |
| 3 | Fibbia e imbottitura spartigambe | 12 | Pulsante di rilascio del tettuccio |
| 4 | Pulsante di regolazione della cintura | 13 | Pulsante di rilascio del passeggino |
| 5 | Cinghia di regolazione della cintura | 14 | Fessure delle cinture |
| 6 | Pulsante di regolazione della maniglia | 15 | Barra di fissaggio della base |
| 7 | Pulsante di rilascio del passeggino* | 16 | Bretelle |
| 8 | Imbottiture per briglia avvolgispalla | 17 | Occhielli cintura per le spalle |
| 9 | Poggiatesta (x2) | 18 | Piastra di separazione |
| | | 19 | Barra di fissaggio della base |

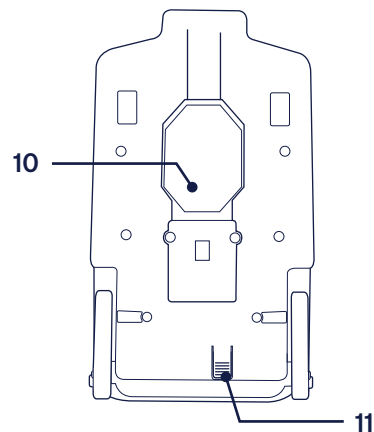
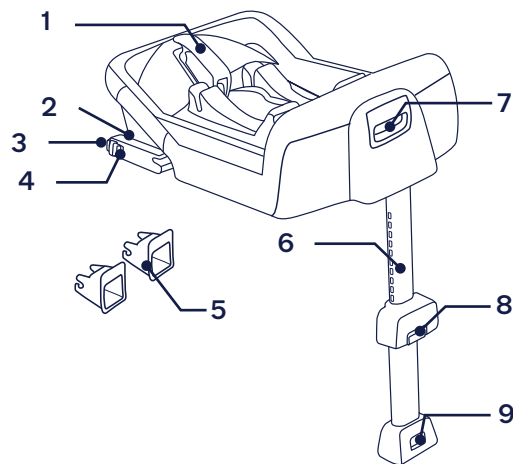
*utilizzato solo con adattatori per seggiolino per auto del bambino



Elenco parti della base

Assicurarsi che tutti i pezzi siano disponibili prima dell'assemblaggio. Se manca qualche pezzo, contattare Nuna (per informazioni, vedere pagina 104). Per l'assemblaggio non è necessario nessun attrezzo.

- | | | | |
|---|--|----|---|
| 1 | Blocco cintura del veicolo | 7 | Pulsante di rilascio del supporto |
| 2 | Fermo rigido (fissaggi inferiori) | 8 | Pulsante di regolazione piedino di stabilità |
| 3 | Pulsante di rilascio fermo rigido secondario | 9 | Indicatore piedino di stabilità |
| 4 | Pulsante di rilascio fermo rigido primario | 10 | Area di conservazione del manuale di istruzioni |
| 5 | Guide fermo rigido | 11 | Pulsante di rilascio ISOFIX |
| 6 | Supporto | | |



Panoramica del prodotto

Tettuccio

- 1 - Per montare il tettuccio, premere i supporti del tettuccio nella fessura del tessuto per fissarlo al tettuccio. (1) Quando si sente il “clac” significa che i supporti del tettuccio sono bloccati. (2)
- 2 - Fissare le chiusure in velcro sul retro del tettuccio e del sedile. (3)
- 3 - Per fissare il tettuccio, inserirlo nel relativo supporto su entrambi i lati. (4)
- 4 - Per aprire il tettuccio, tirarlo verso la parte anteriore e, per chiuderlo, spingerlo verso il retro.
- 5 - Per rimuovere il tettuccio, invertire il passo 1. Quindi, sganciare l'imbottitura dalla struttura e sollevare il tessuto. (5)
- 6 - Premere il pulsante di rilascio del tettuccio (6)-1 e tirare il tettuccio attraverso la fessura del tessuto. (6)-2 Ripetere sul lato opposto.

Dream Drape™

- 1 - Aprire la cerniera sulla parte anteriore del tettuccio. (7)
- 2 - Estrarre il dream drape™ dal vano. (8)
Fissare il dream drape™ ai magneti su ciascun angolo della parte anteriore del passeggino.

Imbottitura

- 1 - Aprire i ganci su entrambi i lati del seggiolino. (9)
- 2 - Premere il pulsante rosso per sganciare la fibbia. Rimuovere il supporto per il corpo.
- 3 - Rimuovere l'imbottitura. (10)

Dubbi sull'installazione

- ⚠ NON installare questo sistema di ritenuta per bambini su sedili dei veicoli dotati di cinture di sicurezza retrattili per adulti a 2 punti con la base. (11)
- ⚠ Questo sistema di ritenuta per bambini è adatto per sedili dei veicoli dotati di cinture di sicurezza retrattili per adulti a 3 punti con base (12) o punti di ancoraggio ISOFIX CON la base. (13)
- ⚠ NON posizionare il sistema di ritenuta per bambini contro marcia sul sedile anteriore se sono presenti airbag. Potrebbero verificarsi lesioni gravi o il decesso. (14) Per ulteriori informazioni, fare riferimento al manuale del veicolo.
- ⚠ NON installare questo sistema di ritenuta per bambini su sedili dei veicoli rivolti lateralmente o verso la parte posteriore rispetto al senso di marcia del veicolo. (15)
- ⚠ Si raccomanda di installare questo sistema di ritenuta per bambini sul sedile posteriore del veicolo. (16)
- ⚠ NON installare questo sistema di ritenuta per bambini su sedili dei veicoli che si sono rivelati instabili durante l'installazione.

Regolazione della maniglia

- 1 - La maniglia del supporto può essere regolata in 3 posizioni. (17)
 - 2 - Per regolare la posizione della maniglia, premere i relativi pulsanti di regolazione su entrambi i lati. (18)-1 Ruotare la maniglia finché non scatta in una delle 3 posizioni. La maniglia può essere utilizzata nel veicolo in una delle posizioni di blocco. (18)-2
- !** Assicurarsi che la maniglia sia bloccata in posizione di trasporto prima di sollevare il sistema di ritenuta per bambini dalla maniglia. Una maniglia non bloccata potrebbe muoversi in modo imprevisto, causando lesioni al bambino. La maniglia NON DEVE venire a contatto con l'interno del veicolo (lato dell'auto o sedile anteriore) durante l'installazione.

Imbottitura per cintura avvolgispalla

Le imbottiture per cintura avvolgispalla sono rimovibili. Sganciare lo scatto per rimuovere le imbottiture per briglia avvolgispalla. (19)

Imbottitura spartigambe

- 1 - Scollegare la cintura e collocare la cintura dell'imbottitura spartigambe. (20)
- 2 - Tenere la linguetta all'estremità della la cintura dell'imbottitura spartigambe in piano sulla cinghia, quindi inserire la cintura dell'imbottitura spartigambe attraverso la parte anteriore della fibbia. (21)


- 3 - Estrarre l'imbottitura spartigambe dalla fibbia. (22)

Poggiatesta e supporto corpo

Se necessario, è possibile utilizzare il poggiatesta e il supporto corpo per una perfetta aderenza per i bambini piccoli.

- !** Le cinghie del poggiatesta non possono passare attraverso le stesse fessure delle cinture e devono essere utilizzati solo nelle due posizioni superiori della fessura della cintura.
- 1 - Per rimuovere il poggiatesta, slacciare il gancio e la chiusura in velcro dietro il tessuto del seggiolino. (23)
 - 2 - Quindi, tirare le cinture del poggiatesta attraverso le fessure della cintura. (24)
- !** Continuare ad utilizzare il poggiatesta mentre si usa il prodotto.
- 3 - Per rimuovere il supporto corpo, scollegare la cintura e disporre la fibbia e la cintura spartigambe attraverso la fessura inferiore del supporto corpo. (25)
 - 4 - All'interno del supporto corpo è presente gommapiuma per garantire che la cintura sia perfettamente adatta per il bambino. Il supporto corpo deve essere utilizzato per bambini di 0-6 mesi. (26)
 - 5 - Per rimuovere il cuscino per basso peso alla nascita, slacciare il gancio e la chiusura in velcro sul retro del supporto corpo ed estrarre il cuscino. (27)

Cinture per le spalle

- 1 - Stringere la cintura per garantire una perfetta aderenza alle spalle dei bambini. È aderente se non è possibile effettuare una piega nella cintura. **(28)**
 - 2 - Le bretelle devono essere sulle spalle o poco sotto di esse. **(29)**
 - 3 - Per regolare l'altezza della cintura avvolgispalla, togliere il bambino e allentare la cintura premendo il pulsante di regolazione della cintura **(30)-1** mentre si tirano le bretelle **(30)-2** il pulsante di regolazione della cintura si trova all'interno della fessura sull'imbottitura.
 - 5 - Aprire la fibbia. Estrarre le estremità allentate dell'occhiello della cintura attraverso le fessure e collocarle nella fessura corretta. **(31)**
-  **NON** consentire alla cintura di superare le barre. Ripetere la procedura per la seconda bretella.

Uso del prodotto




Protezione del bambino nel sistema di ritenuta per bambini

- 1 - Sistemare il bambino seduto nel sistema di ritenuta per bambini. **(32)**
- 2 - Il bambino deve essere seduto contro la parte posteriore e la parte inferiore del seggiolino senza alcuno spazio dietro. **NON** consentire al bambino di inclinarsi. **(33)**

Guidare delicatamente le braccia del bambino attraverso gli occhielli della cintura.

- 3 - Mettere il bambino nel sistema di ritenuta per bambini e agganciare la fibbia. **(34)(35)(36)(37)**
- 4 - Stringere la cintura tirando la cinghia del dispositivo di regolazione. Tirare le cinghie in eccesso della cintura avvolgispalla attraverso la fibbia verso il sistema di ritenuta per bambini e tirare la cinghia del dispositivo di regolazione. Potrebbe essere necessario ripetere questa operazione varie volte per un fissaggio corretto. **(37)**

Verificare che la cintura sia ben stretta intorno alla vita e alle spalle del bambino.

-  Le bretelle devono essere sulle spalle del bambino o poco sotto di esse per evitare lesioni. Se si desidera spostare le fessure della cintura, vedere la sezione Cinture per le spalle.
-  Assicurarsi che non vi siano interferenze con la cintura. Assicurarsi che la cintura sia ben stretta intorno al bambino e sia piatta. Potrebbero verificarsi gravi lesioni o morte se il bambino non è allacciato adeguatamente.
-  Se il bambino non è allacciato, potrebbe essere espulso in caso di arresto improvviso o incidente, con conseguenti gravi lesioni o morte.

Controllare che il bambino sia allacciato

- La fibbia deve essere allacciata.
- Le bretelle non devono essere attorcigliate.
- La cintura deve essere stretta. Una cintura stretta non può essere schiacciata e non consente gioco.

Installazione

⚠ AVVERTENZA Possono verificarsi gravi lesioni o morte. Non è possibile installare solo il seggiolino nel veicolo. Deve essere installato con la base. (38)

Installazione della base con ISOFIX (fissaggi inferiori)

- 1 - Klappen Sie das Standbein aus. (39)
- 2 - Montare le guide ISOFIX con i punti di ancoraggio ISOFIX. (40) Le guide ISOFIX possono proteggere la superficie del sedile del veicolo dalla torsione. Possono anche guidare gli attacchi ISOFIX.
- 3 - Ruotare gli attacchi ISOFIX di 180 gradi finché non sono rivolti in direzione delle guide ISOFIX. (41)
- 4 - Allineare gli attacchi ISOFIX con le guide ISOFIX, quindi fare clic su entrambi gli attacchi ISOFIX nei punti di ancoraggio ISOFIX. (42)

⚠ Assicurarsi che entrambi gli attacchi ISOFIX siano saldamente fissati ai relativi punti di ancoraggio ISOFIX. Si devono avvertire due clic e il colore degli indicatori su entrambi gli attacchi ISOFIX deve essere completamente verde. (43)

⚠ Assicurarsi che la base sia installata saldamente tirando entrambi gli attacchi ISOFIX.

5 - Dopo aver posizionato la base sul sedile del veicolo, aprire il supporto sul pianale. Se l'indicatore del supporto è verde significa che è installato correttamente; se è rosso significa che è installato in modo non corretto. (44)

⚠ Il supporto presenta 12 posizioni. Se l'indicatore del supporto è rosso significa che il supporto è in una posizione non corretta.

⚠ Assicurarsi che il supporto sia fissato premendo la parte anteriore della base.

⚠ Per accorciare il supporto, premere il pulsante di rilascio del supporto, quindi tirare il supporto verso l'alto. (44)

La base completamente montata viene mostrata in (45).

⚠ Gli attacchi ISOFIX devono essere fissati e bloccati sui punti di ancoraggio ISOFIX. (45)-1

⚠ Il supporto deve essere installato correttamente con l'indicatore verde. (45)-2

Controllo dell'installazione

- La base non deve muoversi da lato a lato o in avanti di oltre 1" nel percorso della cintura.

Fissaggio del sistema di ritenuta per bambini alla base

- 1 - Una volta allacciato correttamente il bambino nel supporto, premere il sistema di ritenuta per bambini sulla base e avvertire un clic. Tirare il sistema di ritenuta per bambini per verificarne l'installazione. **(46)**

! Il sistema di ritenuta per bambini **NON DEVE** venire a contatto con l'interno del veicolo (lato dell'auto o sedile anteriore) durante l'installazione sulla base.

- 2 - Per rilasciare il sistema di ritenuta per bambini, premere il pulsante di rilascio del supporto **(47)-1** sulla base, quindi sollevare il sistema di ritenuta per bambini. **(47)-2**
- 3 - Per rimuovere la base, spingere leggermente la base verso il sedile del veicolo. **(48)**
- 4 - Mentre si spinge la base verso il sedile del veicolo, premere i pulsanti di di rilascio fermo rigido secondario **(49)-1** e primario **(49)-2**. Per una maggiore facilità di rilascio, premere prima il pulsante secondario, quindi quello primario.
- 5 - Premere il pulsante di rilascio ISOFIX per piegare gli attacchi ISOFIX. **(50)**

Installazione con cintura a 3 punti

- 1 - Aprire il bloccaggio della cintura per auto e inserire la cintura di sicurezza nel percorso della cintura. **(51)**
- 2 - Allacciare la cintura del veicolo. La cintura per le spalle e la cintura addominale devono trovarsi sotto il blocco blu e devono essere in piano. **(52)**
- 3 - Premendo la base nel sedile del veicolo **(53)-1**, serrare la cintura del veicolo tirando in linea retta lungo il percorso della cintura **(53)-2**, continuando a mantenere le cinture in piano nel blocco.
- 4 - Quando la cintura per le spalle è stretta, agganciare la parte inferiore del blocco blu e premere per chiudere il blocco sulla cintura per le spalle e sulla cintura addominale. **(54)**

La base installata è mostrata in **(55)**.

- !** Assicurarsi che non vi sia spazio tra il sedile del veicolo e la parte inferiore della base.
- !** La cintura di sicurezza deve andare sotto il blocco, non sopra di esso. **(55)-1**
- !** La cintura di sicurezza deve essere bloccata nella fibbia. **(55)-2**
- !** Il supporto deve essere installato correttamente con l'indicatore verde. **(55)-3**
- !** Il sistema di ritenuta non può essere utilizzato se la fibbia della cintura di sicurezza del veicolo (il terminale femmina) è troppo lungo per ancorare saldamente il sistema di ritenuta. **(55)-4**

5 - Una volta allacciato correttamente il bambino nel supporto, premere il sistema di ritenuta per bambini sulla base e avvertire un clic. Tirare il sistema di ritenuta per bambini per verificarne l'installazione. **(56)**

! Il sistema di ritenuta per bambini **NON DEVE** venire a contatto con la porta del veicolo o il sedile anteriore.

6 - Per rilasciare il sistema di ritenuta per bambini, sollevare il supporto **(57)-1** mentre si preme il relativo pulsante di rilascio situato sulla base. **(57)-2**

7 - Per rimuovere la base, sollevare la base sul blocco. **(58)**

8 - Scollegare la cintura del veicolo e non rivolgere la cintura per le spalle e sulla cintura addominale dalla base. **(59)**

Quindi, rimuovere la base.

Installazione di un passeggino

Questo supporto può essere fissato ai passeggini Nuna utilizzando adattatori. Le istruzioni sono incluse con gli adattatori, venduti separatamente.

Questo supporto può essere fissato anche ai passeggini di altre marche utilizzando adattatori. Per ulteriori informazioni, visitare il sito nuna.eu.

Pulizia e manutenzione

Il supporto è un prodotto prezioso e di qualità e merita un cura adeguata e attenta.

Per ragioni di sicurezza, utilizzare soltanto ricambi originali Nuna.

Fare riferimento all'etichetta di cura presente sul rivestimento imbottito per istruzioni di lavaggio e asciugatura.

Utilizzare solo un detergente neutro, acqua e un panno morbido per pulire la struttura del supporto, la maniglia e le bretelle. Asciugare all'aria.

Per pulire la fibbia: risciacquare con acqua calda. **NON** utilizzare saponi, solventi o lubrificanti. L'uso di prodotti diversi dall'acqua può causare il malfunzionamento della fibbia. Asciugare all'aria.

Rimuovere il sistema di ritenuta per bambini dal sedile del veicolo se non vengono usati per un lungo periodo di tempo. Sistemare il sistema di ritenuta per bambini in un luogo fresco e asciutto e inaccessibile al bambino.

È normale che i tessuti si scoloriscano per effetto della luce solare e che presentino tracce di usura dopo un lungo periodo d'uso, anche se utilizzati in modo normale.

Controllare periodicamente se tutto funziona correttamente. Se alcune parti sono danneggiate, rotte o mancanti, cessare di utilizzare questo prodotto.

¡IMPORTANTE!
¡GUARDE ESTAS
INSTRUCCIONES
PARA FUTURAS
CONSULTAS!
LÉALAS
DETENIDAMENTE

Índice

Información del producto	
Registro del producto	132
Garantía	132
Contacto	133
Requisitos de los niños para su uso	133
Para su uso con la base	134
Advertencias	135
Lista de piezas del asiento para vehículo para niños	140
Lista de piezas de la base	142
Información general del producto	144
Uso del producto	148
Instalación	150
Limpieza y mantenimiento	155

Información del producto

Número de modelo: _____

Fabricado el (fecha): _____

Registro del producto

Todos los productos incluyen una etiqueta de serie que indica el número de modelo y el número de serie del producto. Esta etiqueta se encuentra en la base. Antes de ponerse en contacto con el servicio de atención al cliente, tenga preparados estos números.

Para registrar su producto, visite:

www.nuna.eu/register-gear

Garantía

Hemos diseñado a propósito nuestros productos de alta calidad para que puedan crecer tanto con su hijo como con su familia. Como respaldamos nuestros productos, nuestros artículos están cubiertos por una garantía a medida para cada producto, a partir de la fecha en la que fue adquirido. Tenga preparada la prueba de compra, el número de modelo y la fecha de fabricación cuando se ponga en contacto con nosotros.

Para obtener información acerca de la garantía, visite:

www.nuna.eu/warranty

Contacto

Para obtener información sobre piezas de repuesto y servicio técnico, o para resolver dudas acerca de la garantía adicional, póngase en contacto con nuestro departamento de atención al cliente.

info@nuna.eu

www.nuna.eu

Requisitos de los niños para su uso

Este producto es apto para su uso con niños que cumplan los siguientes requisitos:

Grupo de masa: 0+

Peso: Niños con un peso inferior a 13 kg (aprox. 1,5 años o menores de esa edad).

Para su uso con la base

El dispositivo de sujeción para niños con base es un “dispositivo de sujeción para niños Semi-universal” y deberá colocarse utilizando un cinturón de asiento para adultos de 3 puntos de sujeción aprobado por la Norma UN ECE 16 o los conectores ISOFIX.

Para la instalación con un cinturón de 3 puntos de sujeción

Se adapta a los vehículos equipados con cinturones de seguridad retráctiles con 3 puntos de sujeción. Las posiciones de sentado en otros coches también pueden ser adecuadas para colocar este dispositivo de sujeción para niños. En caso de duda, consulte al fabricante del dispositivo de sujeción para niños o al distribuidor.

Para la instalación con el Sistema ISOFIX

Éste es un DISPOSITIVO DE SUJECIÓN PARA NIÑOS ISOFIX. Está aprobado por la serie de enmiendas de la Norma 44, 04 para el uso general en vehículos equipados con sistemas de sujeción ISOFIX.

Se ajustará a los vehículos con posiciones aprobadas como posiciones ISOFIX (como se indica en el manual del vehículo), dependiendo de la categoría del asiento infantil y de la sujeción. En caso de duda, consulte al fabricante del dispositivo de sujeción para niños o al fabricante del vehículo.

La clase de tamaño ISOFIX para la que está diseñado este dispositivo es C y D.

ADVERTENCIA

Asegure siempre al niño en el dispositivo de sujeción para niños, incluso en trayectos cortos, ya que es en estos donde más accidentes se producen.

Las correas que fijan el dispositivo de sujeción al vehículo deben estar apretadas, mientras que las correas que sujetan al niño deben ajustarse al cuerpo del niño y no retorcerse.

Una vez colocado el niño en el dispositivo de sujeción para niños, deberá utilizar correctamente el cinturón de seguridad y asegurarse de que ninguna correa de seguridad quede demasiado baja, de forma que la entrepierna quede firmemente sujeta.

Asegúrese de instalar el dispositivo de sujeción para niños de forma que ninguna de sus partes interfiera en el movimiento de los asientos o en la apertura de las puertas del vehículo.

Antes de transportar el dispositivo de sujeción para niños sujetándolo con la mano, asegúrese de que el niño esté sujeto con el arnés de seguridad y el asa esté correctamente bloqueada en la posición vertical.

Para cualquier cuestión de mantenimiento, reparación o sustitución de piezas, consulte a su distribuidor.

Examine periódicamente las guías ISOFIX por si estuvieran sucias y límpielas si fuera necesario. La fiabilidad podría verse afectada si se acumula suciedad, polvo, partículas de comida, etc.

NINGÚN dispositivo de sujeción para niños puede garantizar una protección total contra lesiones en caso de accidente. Sin embargo, un uso adecuado de este dispositivo de sujeción para niños reducirá el riesgo de lesiones graves o, incluso, de muerte del niño.

Mantenga este dispositivo de sujeción para niños alejado de la luz directa del sol ya que, si no lo hace, podría alcanzar temperaturas demasiado altas para la piel de su hijo. Toque siempre el asiento para probarlo antes de colocar al niño en él.

Retire este dispositivo de sujeción para niños y la base del asiento del vehículo cuando no lo use con regularidad.

Este dispositivo de sujeción para niños está diseñado únicamente para niños que pesen menos de 13 kg.

El acolchado no debe sustituirse por uno que no esté recomendado por el fabricante.

El acolchado constituye una parte esencial del funcionamiento del dispositivo de sujeción para niños.

Para evitar el riesgo de sufrir caídas, asegure siempre al niño con el arnés de seguridad cuando el niño se encuentre en el dispositivo de sujeción para niños, incluso cuando el dispositivo de

sujeción para niños no se esté dentro del vehículo.

Para evitar lesiones graves o incluso la muerte, **NUNCA** coloque el dispositivo de sujeción para niños en asientos que tengan una superficie elevada con el niño en el dispositivo.

Las piezas de este dispositivo de sujeción para niños no necesitan ningún tipo de lubricación.

Utilice exclusivamente los almohadones internos recomendados para este dispositivo de sujeción para niños.

NO siga utilizando este dispositivo de sujeción para niños si ha sufrido un accidente, incluso si no ha sido un accidente grave. Cámbielo por otro inmediatamente, ya que podría haber sufrido daños estructurales no visibles como resultado del accidente.

NO utilice ni instale este dispositivo de sujeción para niños hasta que no haya leído y comprendido las instrucciones que se indican en este manual y en el manual del propietario del vehículo.

NO realice modificaciones en ninguna pieza del dispositivo de sujeción para niños o en la base ni tampoco incorpore nada en ellas. No utilice accesorios o piezas suministradas por otros fabricantes. La función del dispositivo de sujeción para niños podría alterarse, lo que podría dar lugar a lesiones graves o, incluso, la muerte.

NO utilice este dispositivo de sujeción para niños si está dañado o si falta alguna de sus piezas.

NO ponga ropa grande o sobredimensionada a su hijo, ya que podría provocar que la sujeción del niño, mediante las correas de los arneses de los hombros y los arneses entre los muslos, no sea firme y segura.

NO modifique de ninguna manera este dispositivo de sujeción para niños ni lo utilice con piezas de otros fabricantes.

NO deje este dispositivo de sujeción para niños u otros elementos sin el cinturón puesto o sin fijar a su vehículo, ya que un dispositivo de sujeción para niños que no esté fijado puede ser lanzado y puede causar daños a los ocupantes en curvas pronunciadas, frenazos o colisiones.

NO coloque el dispositivo de sujeción para niños orientado hacia atrás en el asiento delantero de un vehículo que tenga airbag. Si lo hace, podrían producirse lesiones graves o, incluso, la muerte.

Consulte el manual de usuario del vehículo para obtener más información.

NO utilice este dispositivo de sujeción para niños sin el acolchado.

NO utilice ningún punto de contacto de soporte de carga distinto a los que se describen en las instrucciones y aparecen en el dispositivo de sujeción para niños.

NO coloque ningún objeto en la pata de carga delante de la base.

NUNCA deje a su hijo sin supervisión en este dispositivo de sujeción para niños.

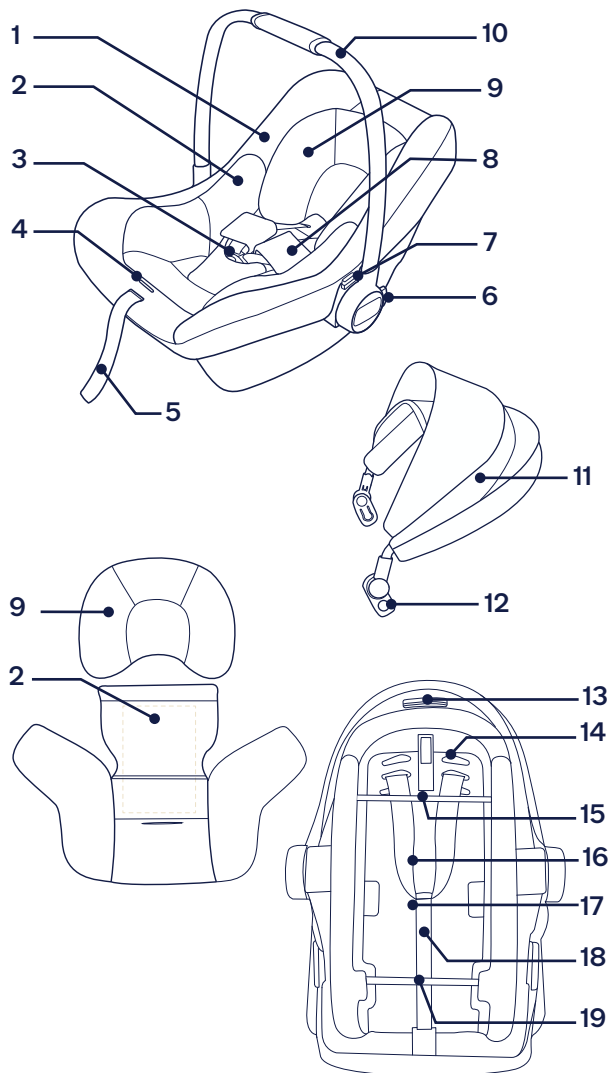
NUNCA utilice un dispositivo de sujeción para niños de segunda mano ni un dispositivo de sujeción para niños que no sepa el uso que se le ha dado, ya que podría tener daños estructurales que pusieran en peligro la seguridad de su hijo.

NUNCA use cuerdas ni ningún otro sustitutivo para fijar el dispositivo de sujeción para niños al vehículo o para asegurar al niño al dispositivo de sujeción para niños. Utilice solamente el cinturón del vehículo para asegurar el dispositivo de sujeción para niños en dicho vehículo.

Lista de piezas del asiento para vehículo para niños

Asegúrese de que están disponibles todas las piezas antes de montar el producto. Si alguna pieza falta, póngase en contacto con Nuna (consulte la página 130 para obtener información). No se necesita ninguna herramienta para el montaje.

- | | |
|---|--------------------------------------|
| 1 Acolchado del asiento | 10 Asa |
| 2 Apoyo para el cuerpo (x2) | 11 Capota |
| 3 Hebilla y acolchado para la entrepierna | 12 Botón de desbloqueo de la capota |
| 4 Botón de ajuste del arnés | 13 Botón de desbloqueo del cochecito |
| 5 Correa de ajuste del arnés | 14 Ranuras del arnés |
| 6 Botón de ajuste del asa | 15 Barra de acoplamiento de la base |
| 7 Botón de desbloqueo del cochecito* | 16 Correas del arnés |
| 8 Acolchado del arnés para los hombros | 17 Lazos del arnés para los hombros |
| 9 Apoyo para la cabeza (x2) | 18 Placa de separación |
| | 19 Barra de acoplamiento de la base |

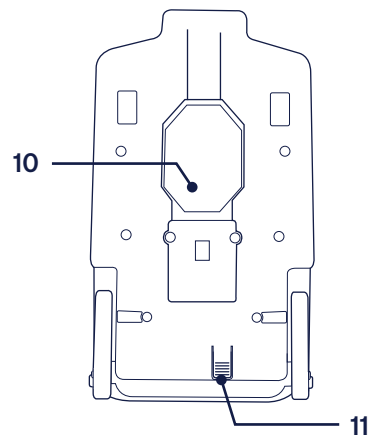
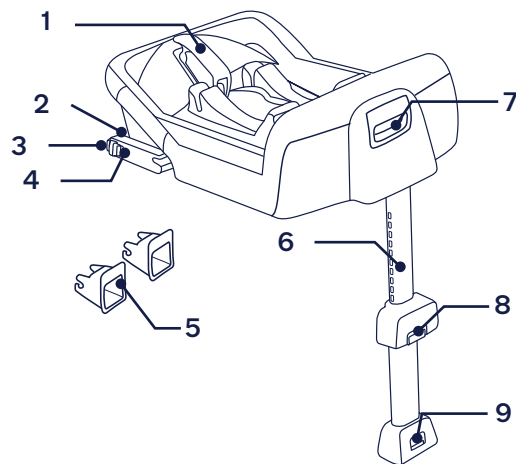


* usar solo con adaptadores de asiento de niños para coche

Lista de piezas de la base

Asegúrese de que están disponibles todas las piezas antes de montar el producto. Si alguna pieza falta, póngase en contacto con Nuna (consulte la página 130 para obtener información). No se necesita ninguna herramienta para el montaje.

- 1 Cierre del cinturón del vehículo
- 2 CERRADURA rígida (accesorios inferiores)
- 3 Botón de desbloqueo secundario de la CERRADURA rígida
- 4 Botón de desbloqueo principal de la CERRADURA rígida
- 5 Guías de la CERRADURA rígida
- 6 Pata de carga
- 7 Botón de desbloqueo del capazo
- 8 Botón de ajuste de la pata estabilizadora
- 9 Indicador de la pata estabilizadora
- 10 Almacenamiento del manual de instrucciones
- 11 Botón de desbloqueo ISOFIX



Información general del producto

Capota

- 1 - Para montar la capota, empuje los soportes de la capota por la ranura de tela para acoplarla al asiento. **(1)** Cuando oiga un clic, significará que los soportes de la capota están totalmente sujetos. **(2)**
- 2 - Cierre el enganche y pegue los velcros en la parte trasera de la capota y el asiento. **(3)**
- 3 - Para acoplar la capota, encájela en el soporte de la misma en ambos lados. **(4)**
- 4 - Para abrir la capota, tire de ella hacia adelante del asiento; para plegarla, empújela hacia atrás.
- 5 - Para quitar la capota, invierta el paso 1. Luego desabroche el acolchado del asiento de la carcasa y levante la tela. **(5)**
- 6 - Presione el botón de desbloqueo de la capota **(6)-1** y tire de esta a través de la ranura de la tela. **(6)-2** Repita este paso en el lado contrario.

Dream Drape™







- 1 - Abra la cremallera situada detrás del arco de la capota frontal. **(7)**
- 2 - Extraiga el Dream Drape™ del compartimento. **(8)**

Acople el Dream Drape™ a los imanes situados en cada esquina de la parte frontal de la sillita.

Acolchado del asiento

- 1 - Abra los broches de ambos lados del asiento. **(9)**
- 2 - Presione el botón rojo para soltar la hebilla. Quite el soporte del cuerpo.
- 3 - Quite el acolchado del asiento. **(10)**

Consideraciones acerca de la instalación

-  NO instale este dispositivo de sujeción para niños en asientos con cinturones de seguridad retráctiles de 2 puntos con la base. **(11)**
-  Este dispositivo de sujeción para niños está diseñado para asientos de vehículos con cinturones de seguridad retráctiles con 3 puntos con la Base **(12)**, o puntos de anclaje ISOFIX CON la base. **(13)**
-  NO coloque el dispositivo de sujeción para niños orientado hacia atrás en el asiento delantero de un vehículo que tenga airbag. Si lo hace, podrían producirse lesiones graves o, incluso, la muerte. **(14)** Consulte el manual de usuario del vehículo para obtener más información.
-  NO instale este dispositivo de sujeción para niños en asientos de vehículo cuya posición esté orientada hacia un lado o hacia atrás con respecto a la dirección de conducción del vehículo. **(15)**
-  Le recomendamos que instale este dispositivo de sujeción para niños en los asientos traseros. **(16)**
-  NO instale este dispositivo de sujeción para niños en asientos de vehículo que se muestren inestables durante la instalación.

Ajuste del asa

- 1 - El asa del capazo para niños se puede ajustar en 3 posiciones distintas. (17)
- 2 - Para ajustar la posición del asa, apriete los botones de ajuste del asa situados a ambos lados. (18)-1 Gire el asa hasta que escuche el sonido de un clic en cualquiera de las 3 posiciones. El asa se puede utilizar en el vehículo en cualquier posición bloqueada. (18)-2

⚠ Asegúrese de que el asa está bloqueada (en la posición de transporte antes de levantar el dispositivo de sujeción para niños mediante el asa. Si el asa no está bloqueada se podría mover inesperadamente, lo que podría provocar lesiones al niño. El asa NO DEBE entrar en contacto con el interior del vehículo (lateral del vehículo o asiento delantero) cuando se instale.

Acolchado del arnés para los hombros

Los acolchados del arnés para los hombros se pueden quitar. Desabroche para extraer las almohadillas de los cinturones de hombro. (19)

Acolchado para la entrepierna

- 1 - Desabroche el arnés y localice la correa del acolchado de la entrepierna. (20)
- 2 - Mantenga la lengüeta situada en el extremo de la correa del acolchado de la entrepierna plana

contra la correa y después pase la correa del acolchado de la entrepierna a través de la parte delantera de la hebilla. (21)

- 3 - Tire del acoplado de la entrepierna fuera de la hebilla. (22)

Apoyo para la cabeza y el cuerpo

Los apoyos para la cabeza y el cuerpo se pueden usar según sea necesario para proporcionar un ajuste ceñido para los bebés pequeños.

⚠ Las correas del apoyo para la cabeza no pueden pasar por las mismas ranuras que el arnés y solo se deben utilizar en las dos posiciones superiores de la ranura del arnés.


- 1 - Para retirar el apoyo para la cabeza, desabroche los extremos del gancho y del lazo detrás de la tela del asiento. (23)
- 2 - A continuación, tire de las correas del soporte para la cabeza a través de las ranuras del arnés. (24)

⚠ Siga usando el reposacabezas mientras usa este producto.

- 3 - Para quitar el soporte para el cuerpo, desabroche el arnés y pase la hebilla y el cinturón de la entrepierna a través de la ranura inferior del soporte para el cuerpo. (25)
- 4 - Espuma interior del soporte para el cuerpo está presente para garantizar que el arnés se adapta al niño correctamente. El soporte para el cuerpo se debe usar para niños de 0 a 6 meses. (26)

- 5** - Para quitar la almohada de bajo peso al nacer, desabroche el gancho y el lazo de la parte posterior del apoyo para el cuerpo y saque la almohada. **(27)**

Cinturones para los hombros

- 1** - Apriete el arnés para que quede bien ajustado en los hombros del niño. Estará ceñido si no puede pellizcar un pliegue en la correa. **(28)**
- 2** - Las correas del arnés deben estar en los hombros o justo debajo. **(29)**
- 3** - Para ajustar la altura del arnés del hombro, saque al niño y afloje el arnés presionando el botón de ajuste de dicho arnés **(30)**-1 mientras tira de la correa del arnés **(30)**-2 El botón de ajuste del arnés se encuentra dentro de la ranura del acolchado del asiento.
- 5** - Abrir la hebilla. Tire de los extremos sueltos del lazo del arnés hacia fuera a través de las ranuras y colóquelos en la ranura correcta. **(31)**
-  **NO** deje que el arnés pase por encima de las barras. Repita el proceso para la segunda correa del arnés para los hombros.

Uso del producto

Sujetar al niño en el dispositivo de sujeción para niños




- 1** - Coloque al niño en el dispositivo de sujeción para niños en la posición de sentado. **(32)**

- 2** - El niño debe estar sentado contra la parte trasera y la parte inferior del asiento sin dejar huecos detrás del niño. **NO** deje que el niño se incline. **(33)**

Guíe suavemente los brazos del niño a través de los lazos del arnés.

- 3** - Coloque al niño en el dispositivo de sujeción para niños y bloquee la hebilla. **(34)(35)(36)(37)**
- 4** - Apriete el arnés tirando de la correa del ajustador. Tire del sobrante de la correa del arnés a través de la hebilla hacia el hombro del niño y tire de la correa del ajustador. Puede que tenga que repetir esta operación varias veces para conseguir un ajuste apropiado. **(37)**

Compruebe que el arnés esté ceñido alrededor de la cintura y los hombros del niño.

-  Para evitar lesiones, las correas del arnés deben estar en hombros del niño o justo debajo de ellos. Si es necesario mover las ranuras del arnés, consulte la sección Cinturones para los hombros.
-  Asegúrese de que nada interfiere con el arnés. Asegúrese de que el arnés esté ceñido alrededor del niño y que esté plano. Un niño puede sufrir lesiones graves, o incluso morir, si no está asegurado adecuadamente.
-  Si el niño no está asegurado adecuadamente, podría salir despedido en una frenazo repentino o en un accidente, provocando lesiones graves, o incluso la muerte.

Comprobar que el niño está protegido

- Hebilla abrochada.
- Correas del arnés no retorcidas.
- Arnés ceñido: un arnés ajustado no se puede pellizcar y no presentará ninguna holgura.

Instalación

⚠ ADVERTENCIA Se pueden producir lesiones graves o, incluso, la muerte. El asiento solo no se puede instalar en el vehículo. Se debe instalar con la base. (38)

Instalación de la base utilizando ISOFIX (accesorios inferiores)

- 1 - Despliegue la pata de carga. (39)
- 2 - Coloque las guías ISOFIX con los puntos de anclaje ISOFIX. (40) Las guías ISOFIX pueden proteger la superficie del asiento del vehículo contra roturas. También sirven para guiar los conectores ISOFIX.
- 3 - Gire los conectores ISOFIX 180 grados hasta que estén apuntando en la dirección de las guías ISOFIX. (41)
- 4 - Alinee los conectores ISOFIX con las guías ISOFIX y, a continuación, introduzca ambos conectores ISOFIX en los puntos de anclaje ISOFIX hasta que escuche un clic. (42)

⚠ Asegúrese de que ambos conectores ISOFIX queden firmemente sujetos a sus puntos de anclaje ISOFIX. Deberá escuchar dos clics y los colores de los indicadores de ambos conectores ISOFIX deberán aparecer completamente en verde. (43)

⚠ Para asegurarse de que la base está instalada de forma segura, tire de ambos conectores ISOFIX.

5 - Una vez colocada la base en el asiento del vehículo, extienda la pata de carga hasta el suelo. Cuando el indicador de la pata de carga se muestre en verde significará que está instalado correctamente. En rojo significa que la instalación es incorrecta. (44)

⚠ La pata de carga tiene 12 posiciones. Cuando el indicador de la pata de carga aparece en rojo significa que la posición de la pata de carga no es correcta.

⚠ Asegúrese de que la pata de carga esté firmemente instalada presionando hacia abajo la parte delantera de la base.

⚠ Para acortar la pata de carga, apriete el botón de desbloqueo de la pata de carga y tire de ella hacia arriba. (44)

La base montada completamente aparece en la figura (45).

⚠ Los conectores ISOFIX deberán estar acoplados y bloqueados en los puntos de anclaje ISOFIX. (45)-1

⚠ La pata de carga debe estar correctamente instalada con el indicador en verde. (45)-2

Comprobar la instalación

- La base no debe moverse de lado a lado ni hacia adelante más de 2,54 cm (1") en la trayectoria del cinturón.

Acoplar el dispositivo de sujeción para niños a la base

- 1 - Después de que el niño esté bien asegurado en el capazo, presione el dispositivo de sujeción para niños en la base hasta que escuche un clic. Tire del dispositivo de sujeción para niños para comprobar la instalación. **(46)**
- ⚠** NO deje que el dispositivo de sujeción para niños entre en contacto con el interior del vehículo (lateral del vehículo o asiento delantero) cuando se instale en la base.
- 2 - Para liberar el dispositivo de sujeción para niños, apriete el botón de desbloqueo del capazo **(47)-1** ubicado en la base y, a continuación, tire de dicho dispositivo hacia arriba. **(47)-2**
- 3 - Para quitar la base, empuje primero la base hacia el asiento del vehículo empleando una ligera fuerza. **(48)**
- 4 - A medida que empuja la base hacia el asiento del vehículo, apriete los botones de desbloqueo de la CERRADURA rígida secundario **(49)-1** y principal **(49)-2**. Para que el desbloqueo resulte sencillo, empuje primero el botón secundario y, después, el botón principal.
- 5 - Pulse el botón de desbloqueo ISOFIX para plegar el sistema ISOFIX. **(50)**

Instalación con cinturón de 3 puntos de sujeción

- 1 - Abra el cierre del cinturón del vehículo y pase el cinturón de seguridad del vehículo por la trayectoria de dicho cinturón. **(51)**
- 2 - Abroche el cinturón del vehículo. Tanto el cinturón para los hombros como el cinturón subabdominal debe estar debajo de la cierre azul y dichos cinturones deben quedar planos. **(52)**
- 3 - Mientras presiona la base en el asiento del vehículo **(53)-1**, apriete el cinturón del vehículo tirando recto a lo largo de la trayectoria de dicho cinturón **(53)-2**, manteniendo ambos cinturones en posición plana en el cierre.
- 4 - Con el cinturón para los hombros apretado, enganche la parte inferior del cierre azul y presione para cerrar la cerradura en el cinturón para los hombros y el cinturón subabdominal. **(54)**

La base instalada se muestra en la figura **(55)**

- ⚠** Asegúrese de que no haya ningún espacio entre el asiento del vehículo y la parte inferior de la base.
- ⚠** El cinturón de seguridad debe quedar por debajo del cierre, no por encima de él. **(55)-1**
- ⚠** El cinturón de seguridad se debe bloquear en la hebilla. **(55)-2**
- ⚠** La pata de carga debe estar correctamente instalada con el indicador en verde. **(55)-3**

! El control del niño no puede utilizarse si la hebilla de seguridad del vehículo (extremo hembra de la hebilla) es demasiado larga para anclar con seguridad el control del niño. **(55)-4**

5 - Después de que el niño esté bien asegurado en el capazo, presione el dispositivo de sujeción para niños en la base hasta que escuche un clic. Tire del dispositivo de sujeción para niños para comprobar la instalación. **(56)**

! NO deje que el dispositivo de sujeción para niños entre en contacto con la puerta o el asiento delantero del vehículo.

6 - Para liberar el asiento de seguridad para niños, tire del capazo hacia arriba **(57)-1** mientras presiona el botón de desbloqueo de dicho capazo situado en la base. **(57)-2**

7 - Para quitar la base, levante el cierre. **(58)**

8 - Desabroche el cinturón del vehículo recoja el cinturón para los hombros y subabdominal de la base. **(59)**

A continuación, quite la base.

Instalación en un cochecito

Este capazo puede acoplarse a los cochecitos Nuna mediante adaptadores. Las instrucciones se incluyen con los adaptadores, que se venden por separado.

Este capazo también puede acoplarse a otras marcas o cochecitos mediante adaptadores. Visite el sitio web nuna.eu para obtener más información.

Limpieza y mantenimiento

Su capazo es un dispositivo valioso y merece la pena tratarlo con cuidado.

Por razones de seguridad, utilice únicamente piezas originales de Nuna.

Consulte la etiqueta de cuidados cosida al acolchado para conocer las instrucciones de lavado y secado.

Utilice únicamente un detergente suave, agua y un paño blando para limpiar el armazón del capazo, el asa y las correas de los arneses. Séquelos al aire.

Para limpiar la hebilla, enjuague con agua tibia. NO utilice ningún tipo de jabón, disolvente o lubricante. Si utiliza cualquier cosa que no sea agua, puede provocar que la hebilla no funcione correctamente. Séquelos al aire.

Retire el dispositivo de sujeción para niños del asiento del vehículo cuando no vaya a utilizarlo durante un periodo prolongado de tiempo. Coloque el dispositivo de sujeción para niños en un lugar fresco y seco donde su hijo no pueda acceder.

Es normal que la tela se decolore debido a la luz del sol, y se desgaste y se rompa después de un largo periodo de uso, incluso si se utiliza de una forma normal.

Compruebe periódicamente que todo funciona correctamente. Si falta alguna pieza o si alguna de ellas está rota o desgastada, deje de utilizar este producto.

©2018 Nuna International B.V. Nuna y todos los logotipos asociados son marcas comerciales

nuna®

Find out more at nuna.eu